



RANE AFTERMARKET BUSINESS



PRODUCT

CATALOGUE

ENGINE AND COOLING SYSTEM PRODUCTS

RIGHT CHOICE RANE

ENGINE AND COOLING SYSTEM PRODUCTS



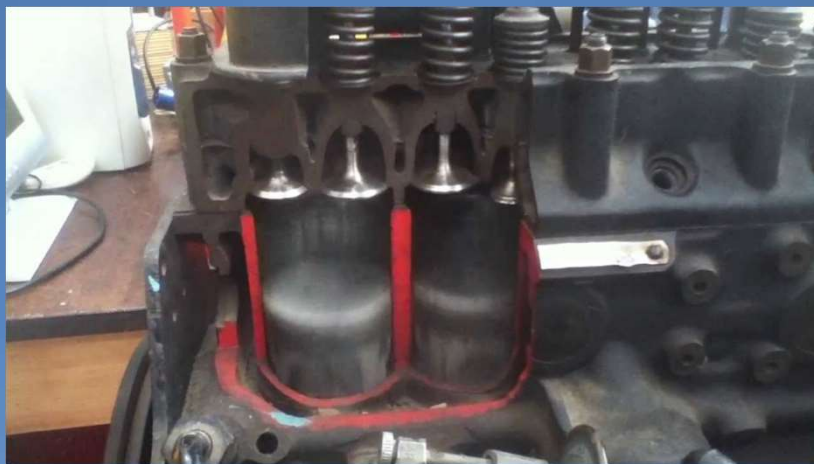
CONTENTS

Contents	Page no
Rane EVL brand	
Engine Valve	3
Guides	45
Stem seal	49
Pistons	52
Tappets	59
Rane Kar Valve brand	
Engine Valve	62
Collets	85
Guides	87
Seat inserts	94
Bushes and Thrust washer	96
Oil Pump	98
Water Pump	100

Rane

ENGINE VALVE

RANE ENGINE VALVE



R I G H T C H O I C E R A N E

FUNCTIONS

- Engine valve are essential components that control the flow of air and fuel mixture into the combustion chamber and allow the exhaust gases to exit.
- Consist of two main types inlet valves and exhaust valves.
- Magnetic valve are made up of high hardness material – generally used in inlet for channelizing the power without any loss
- Non magnetic valve are made up of low hardness material – generally used in exhaust



PRODUCT FEATURE



Magnetic valve and Non-magnetic valve available



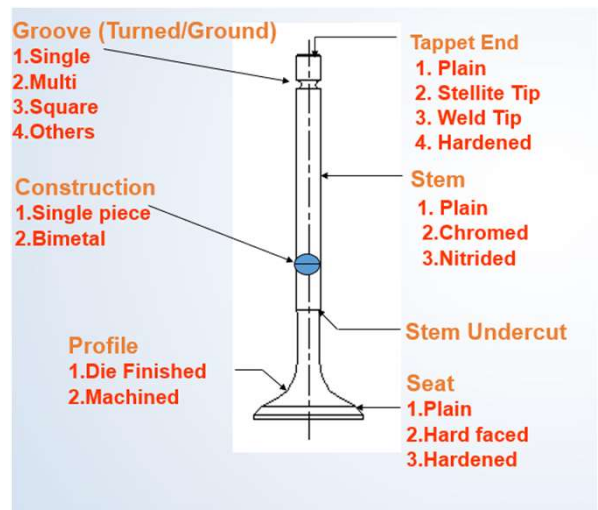
Wide range and sizes available from 2-Wheeler to Marine engines



Strong OE presence



Solid Valve (made up of single piece material) ensures high life and performance



WHY WE DO FRICTION WELDING FOR INLET & EXHAUST VALVE

- High temperature resistance
- Corrosion resistance
- Improved wear resistance

BENEFITS:



Ensures smooth and long-life engine performance.



Excellent corrosion resistance



Friction reduction

Thermal stability



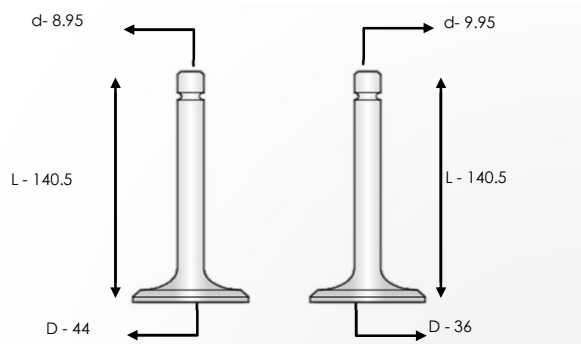
Nitriding treatment had done in HCV segments



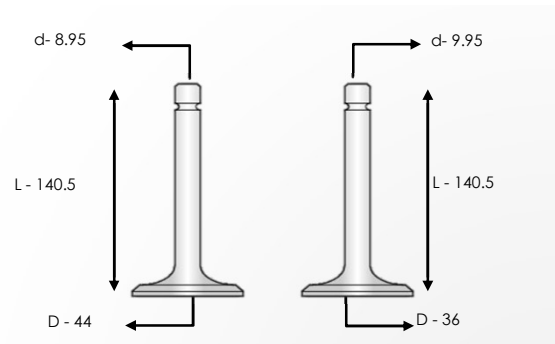
VEHICLES APPLICATIONS:



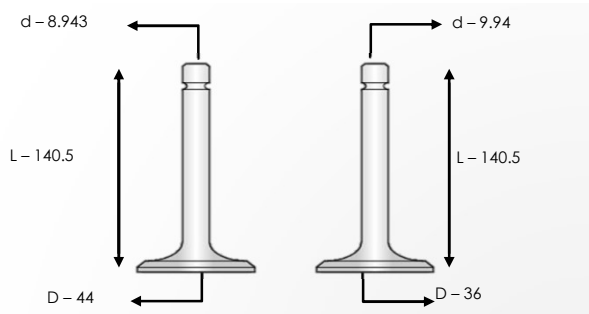
TATA APPLICATION



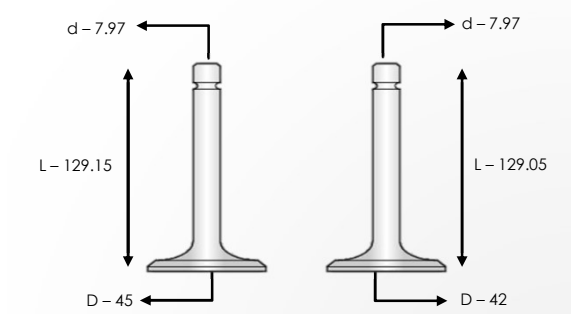
Model : TATA - 697 1312/1516 CF
 Part no Inlet : F01007-T
 Part no Exhaust : F01008-T
 Pieces per carton : 12



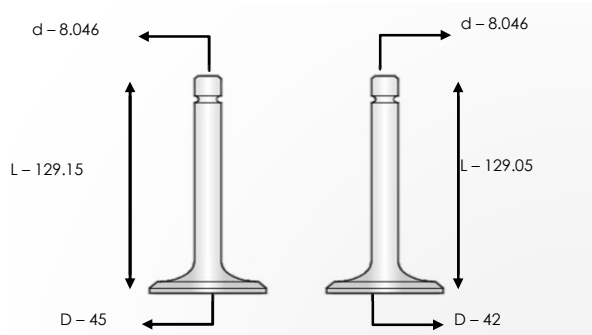
Model : TATA - 697/4SP ENGINE - EURO - II 1312/1516 (4SP)
 709, 1613, 1813, 2525) TUFF
 Part no Inlet : F49590BT
 Part no Exhaust : F49595BT
 Pieces per carton : 12



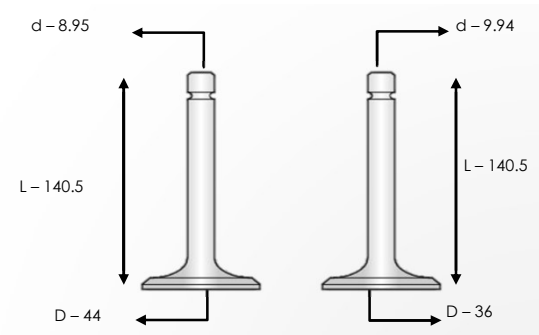
Model : TATA 1613 EURO - IV MHV TUCC
 Part no Inlet : F39594C
 Part no Exhaust : F39599
 Pieces per carton : 12



Model : TCL Euro II (Standard)
 Part no Inlet : F46710
 Part no Exhaust : F46715
 Pieces per carton : 12

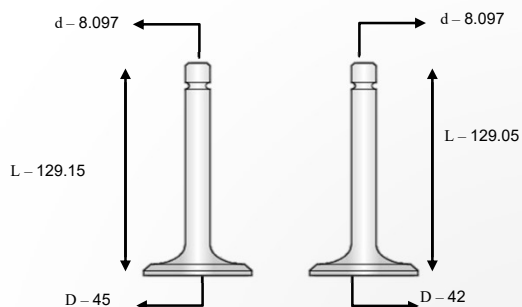


Model : TCL Euro II (3 thou oversize)
 Part no Inlet : F46711
 Part no Exhaust : F46716
 Pieces per carton : 12

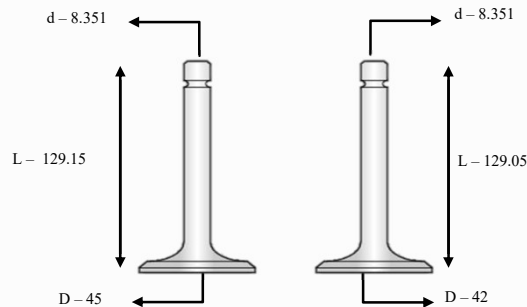


Model : TATA - 1613 TURBO CHARGER EURO-III (4 SP, 709)
 TUFF
 Part no Inlet : F39594B
 Part no Exhaust : F39599
 Pieces per carton : 12

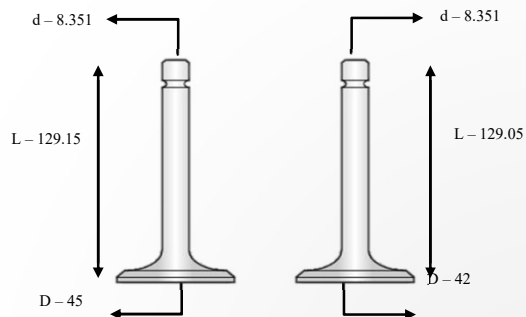
TATA APPLICATION



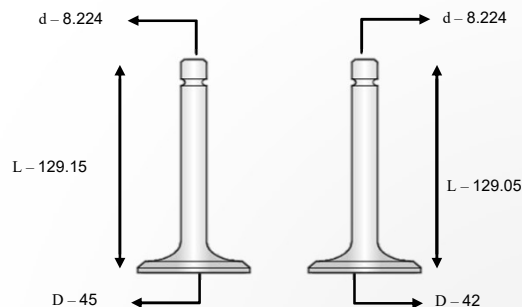
Model : TCL Euro II (5 thou oversize)
 Part no Inlet : F46712
 Part no Exhaust : F46717
 Pieces per carton : 12



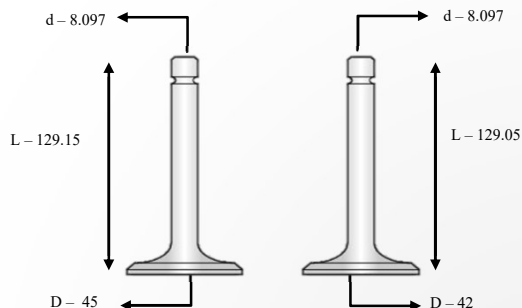
Model : TCL Euro II (15 thou oversize)
 Part no Inlet : F46714
 Part no Exhaust : F46719
 Pieces per carton : 12



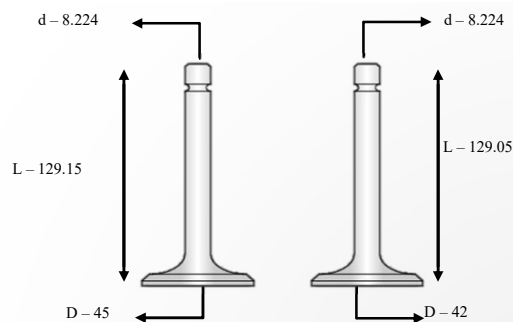
Model : TCL EU2 STM 0.15 SEAT 0.10
 Part no Inlet : F50151-P3
 Part no Exhaust : F50156-P3
 Pieces per carton : 12



Model : TCL Euro II (10 thou oversize)
 Part no Inlet : F46713
 Part no Exhaust : F46718
 Pieces per carton : 12

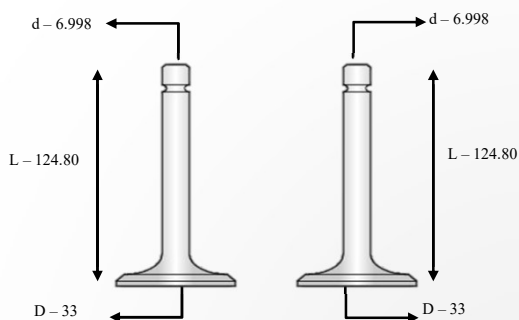


Model : TCL EU2 STM 0.05 SEAT 0.10
 Part no Inlet : F50152-P3
 Part no Exhaust : F50157-P3
 Pieces per carton : 12

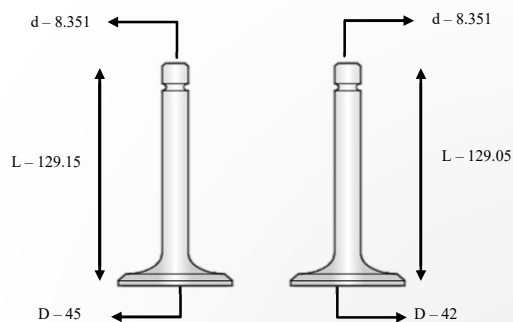


Model : TCL EU2 STM 0.10 SEAT 0.10
 Part no Inlet : F50153-P3
 Part no Exhaust : F50158-P3
 Pieces per carton : 12

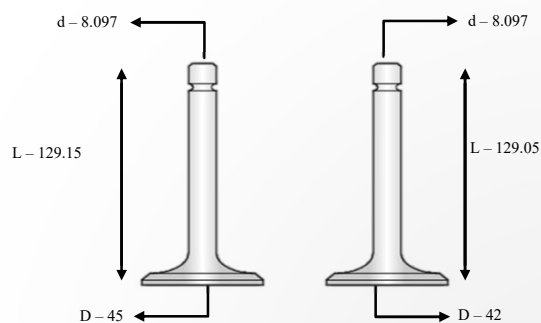
TATA APPLICATION



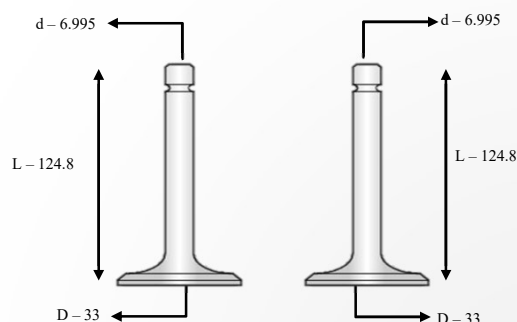
Model : TCL Euro III (Standard)
 Part no Inlet : F50470-P3
 Part no Exhaust : F50475-P3
 Pieces per carton : 24



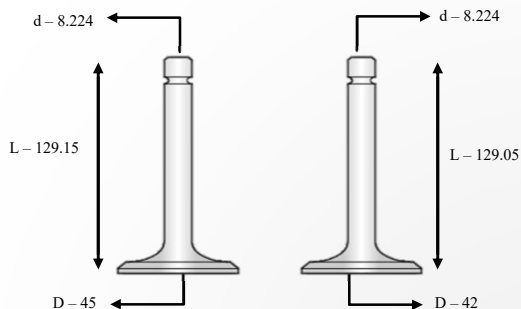
Model : TCL EU2 STM 0.15 SEAT 0.10
 Part no Inlet : F50151-P3
 Part no Exhaust : F50156-P3
 Pieces per carton : 12



Model : TCL EU2 STM 0.05 SEAT 0.10
 Part no Inlet : F50152-P3
 Part no Exhaust : F50157-P3
 Pieces per carton : 12

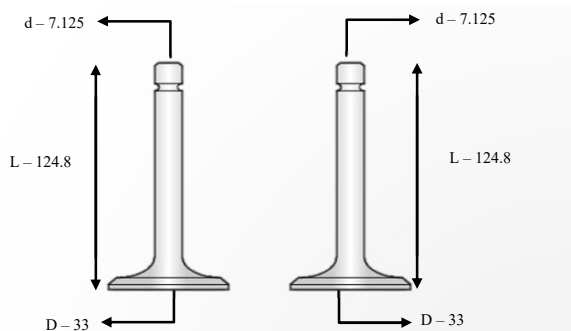


Model : TCL EURO INLET
 Part no Inlet : F50460-P3
 Part no Exhaust : F50465-P3
 Pieces per carton : 24

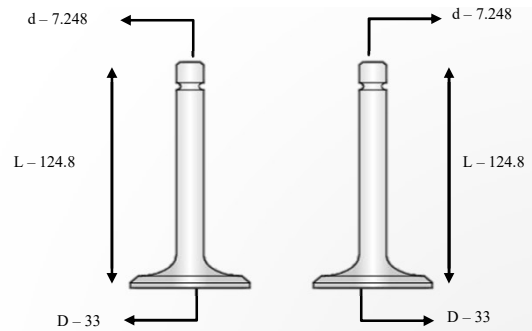


Model : TCL EU2 STEM 0.10 SEAT 0.10
 Part no Inlet : F50153-P3
 Part no Exhaust : F50158-P3
 Pieces per carton : 12

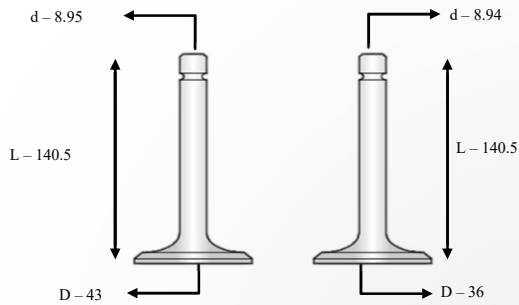
TATA APPLICATION



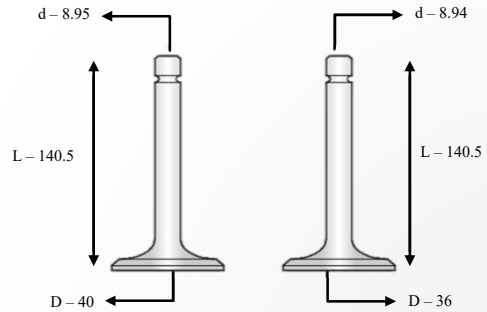
Model : TCL EURO INLET
 Part no Inlet : F50461-P3
 Part no Exhaust : F50466-P3
 Pieces per carton : 24



Model : TCL EURO INLET
 Part no Inlet : F50462-P3
 Part no Exhaust : F50467-P3
 Pieces per carton : 24

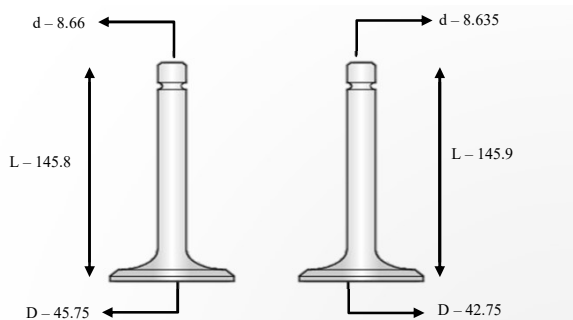


Model : TATA 1210 SUPER (MODIFIED)
 Part no Inlet : F46720
 Part no Exhaust : F4004
 Pieces per carton : 12

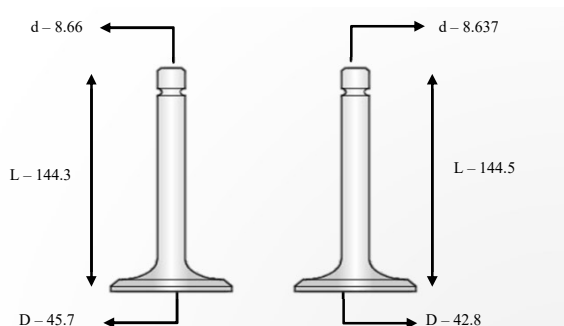


Model : TATA 1210 SUPER
 Part no Inlet : F4003
 Part no Exhaust : F4004
 Pieces per carton : 12

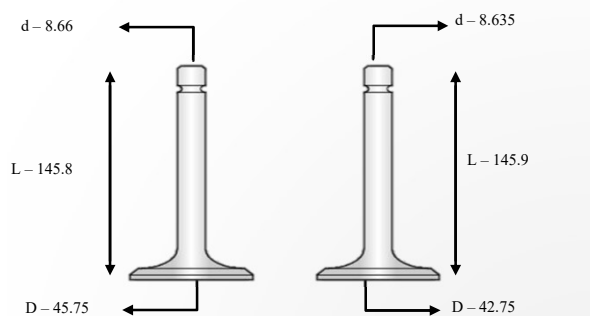
LEYLAND APPLICATION



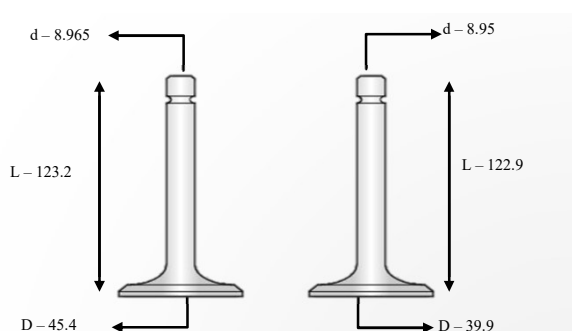
Model : LEYLAND 400 /401 /411
 Part no Inlet : F43040
 Part no Exhaust : F43041
 Pieces per carton : 2



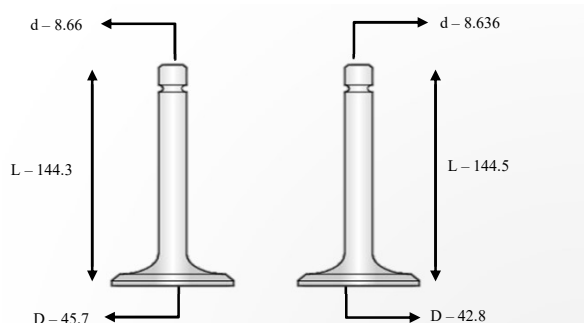
Model : LEYLAND PTL ENGINE
 Part no Inlet : F40450
 Part no Exhaust : F40455
 Pieces per carton : 2



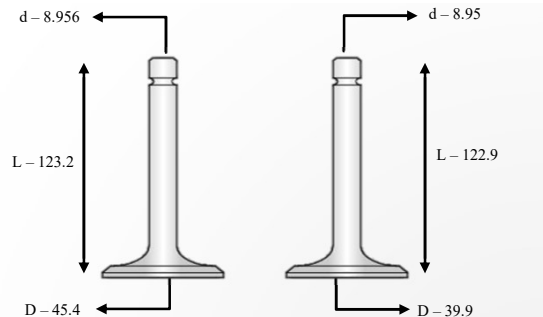
Model : LEYLAND 411 EURO 1
 Part no Inlet : F40452
 Part no Exhaust : F33041
 Pieces per carton : 12



Model : LEYLAND HINO WO 6D / 4
 Part no Inlet : F33608T
 Part no Exhaust : F33609T
 Pieces per carton : 12

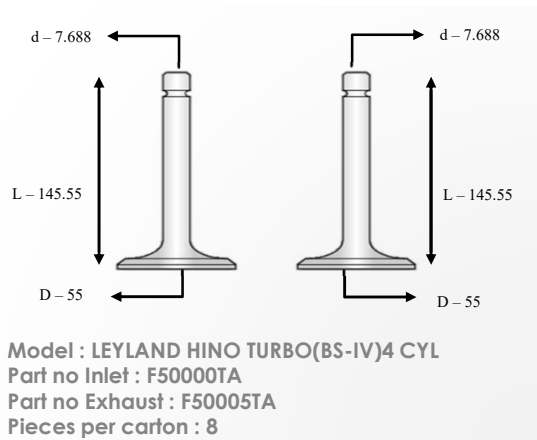
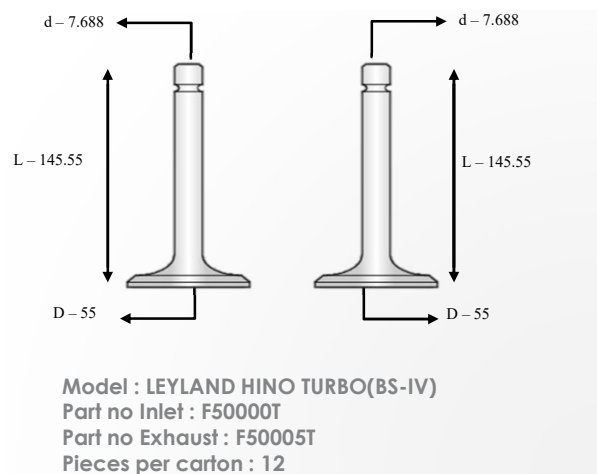
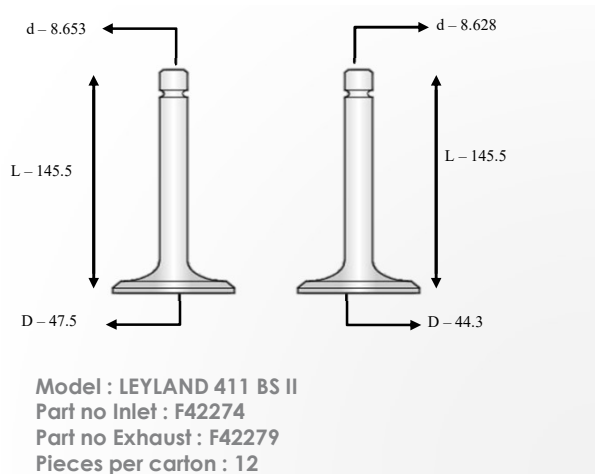


Model : LEY 6.65 PTL EURO 1
 Part no Inlet : F40451
 Part no Exhaust : F40456
 Pieces per carton : 12

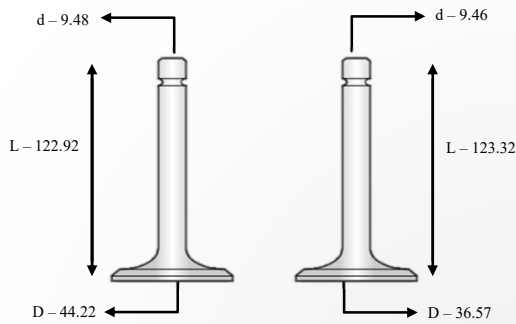


Model : LEYLAND HINO 6DT TURBO
 Part no Inlet : F47580T
 Part no Exhaust : F47585T
 Pieces per carton : 12

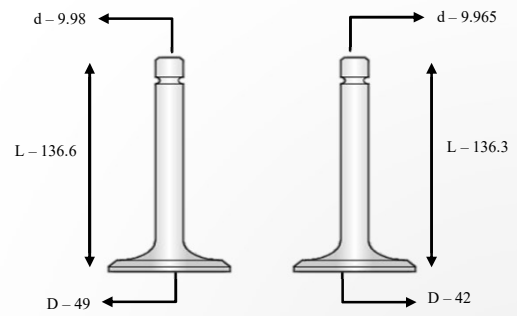
LEYLAND APPLICATION



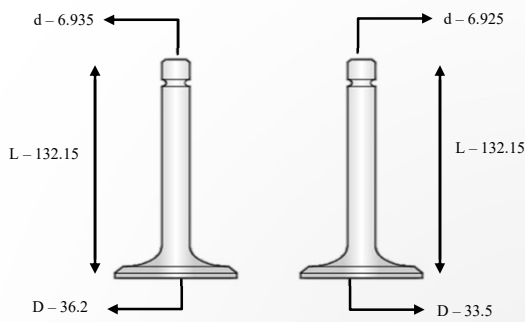
OTHER APPLICATION



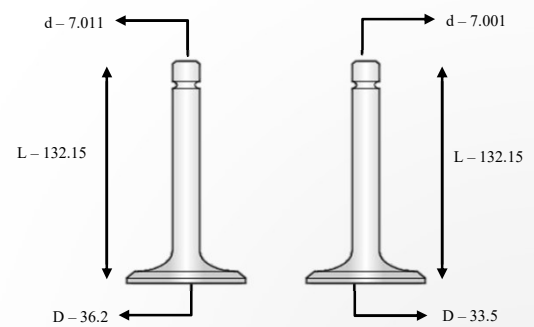
Model : PERKINS P6 - 354
 Part no Inlet : F36580
 Part no Exhaust : F34789
 Pieces per carton : 12



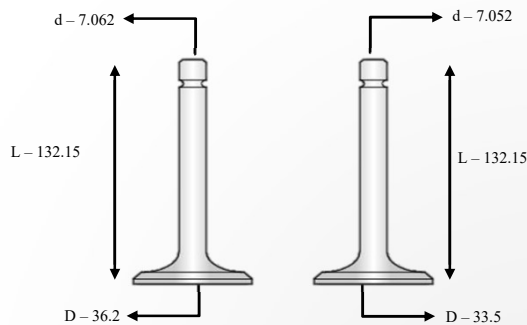
Model : Man Force Truck
 Part no Inlet : F45650
 Part no Exhaust : F45655
 Pieces per carton : 12



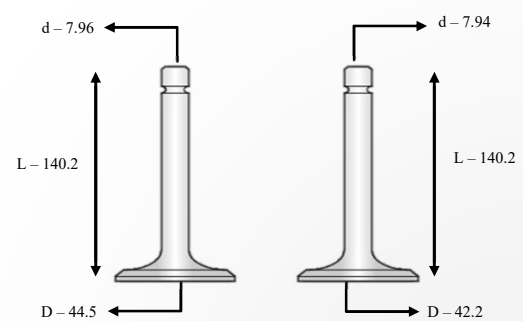
Model : ECOMAX STD
 Part no Inlet : F48440
 Part no Exhaust : F48445
 Pieces per carton : 2



Model : ECOMAX 1st O/S
 Part no Inlet : F48441
 Part no Exhaust : F48446
 Pieces per carton : 2

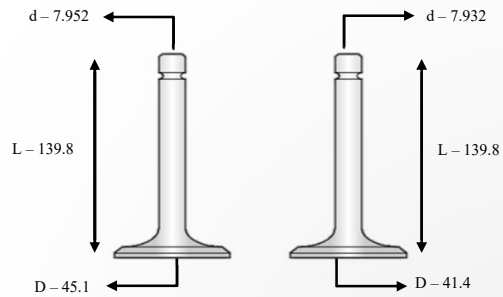


Model : ECOMAX 2nd O/S
 Part no Inlet : F48442
 Part no Exhaust : F48447
 Pieces per carton : 2



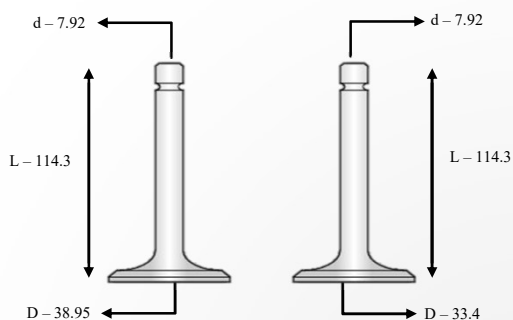
Model : Kirloskar JCB Poclain 1040
 Part no Inlet : F46740
 Part no Exhaust : F46745
 Pieces per carton : 2

OTHER APPLICATION

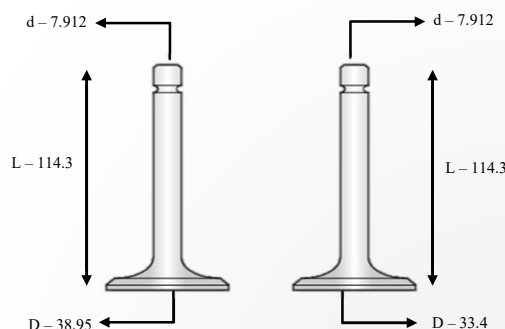


Model : Proclaim New Model
Part no Inlet : F48470
Part no Exhaust : F48475
Pieces per carton : 2

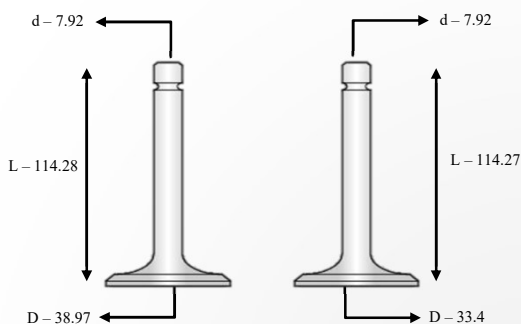
MASSEY - FERGUSON MODELS (PERKINS) APPLICATION



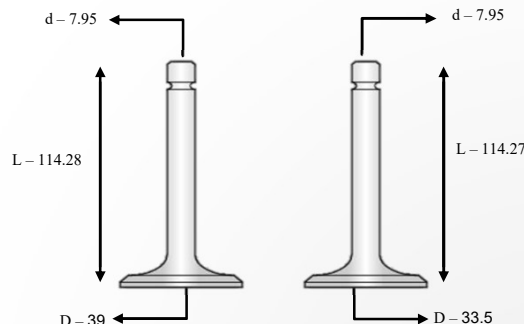
Model : P - 3 MF - 1035
 Part no Inlet : F02076A
 Part no Exhaust : F02077A
 Pieces per carton : 6



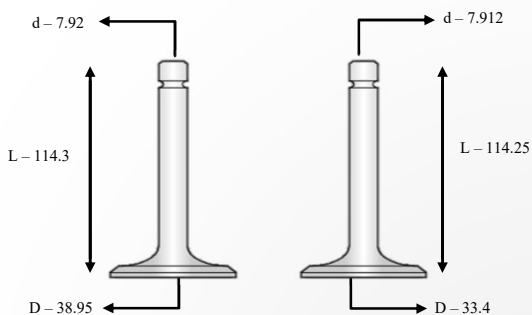
Model : PERKINS P-4
 Part no Inlet : F02076B
 Part no Exhaust : F02077B
 Pieces per carton : 8



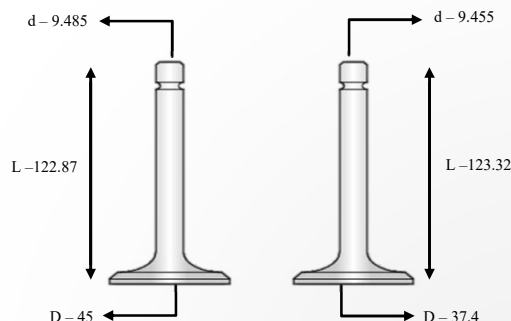
Model : MF 245 S3 BLACK
 Part no Inlet : F34643
 Part no Exhaust : F33507/F40936
 Pieces per carton : 6



Model : MF 245 S4
 Part no Inlet : F34643B
 Part no Exhaust : F33507B/F40936B
 Pieces per carton : 8

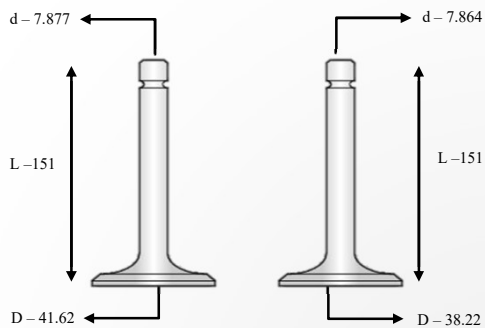


Model : PERKINS MF 135 CHROME
 Part no Inlet : F03363
 Part no Exhaust : F03364
 Pieces per carton : 6

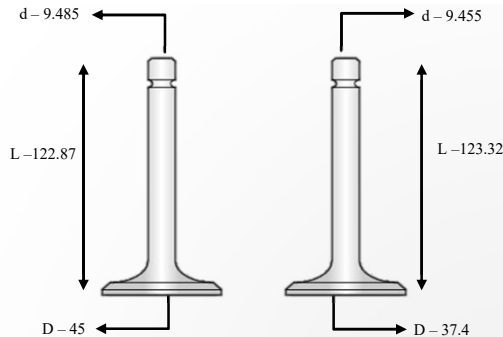


Model : PERKINS 1000CC
 Part no Inlet : F33286
 Part no Exhaust : F33288
 Pieces per carton : 8

MASSEY - FERGUSON MODELS (PERKINS) APPLICATION

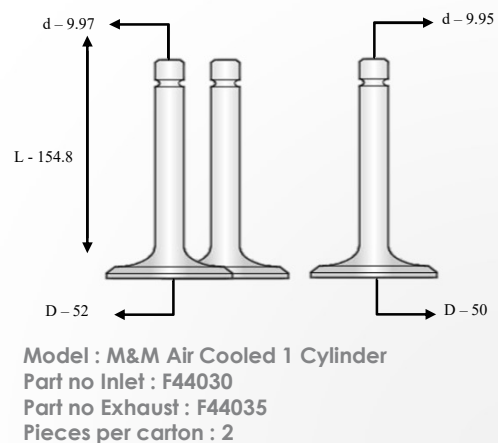
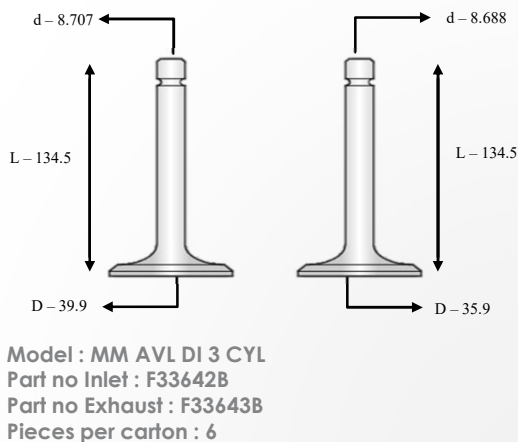
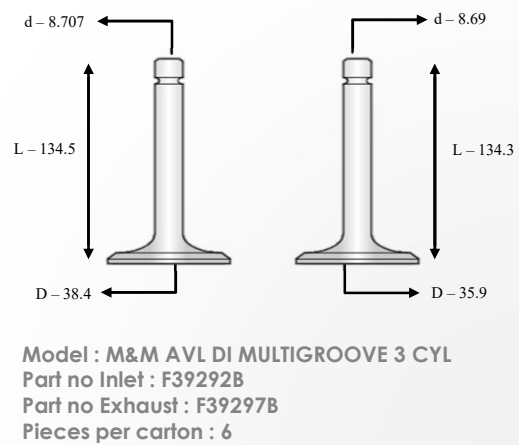
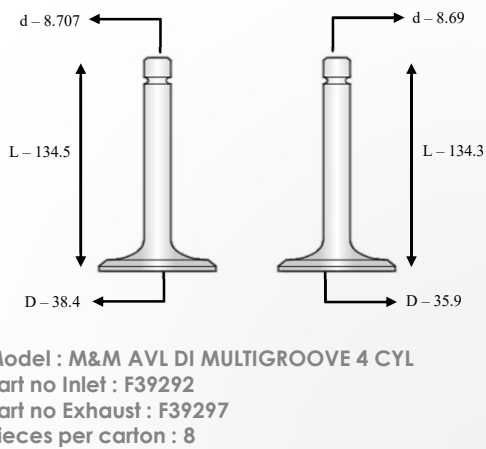
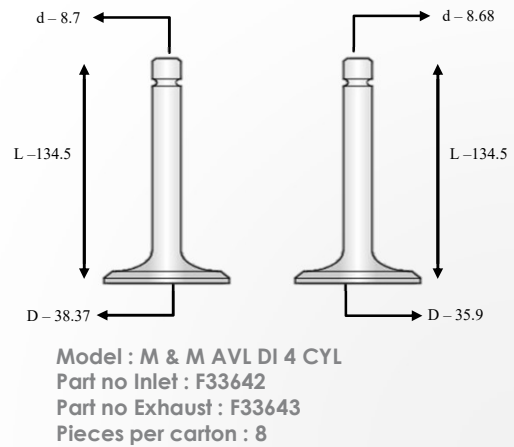
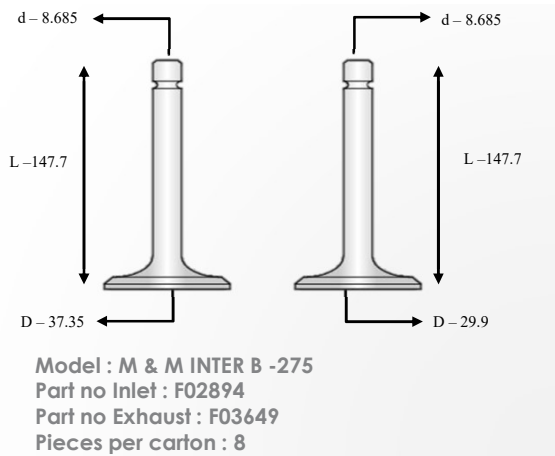


Model : PERKINS AVL SJ / SAMRAT
Part no Inlet : F41421
Part no Exhaust : F41426
Pieces per carton : 6

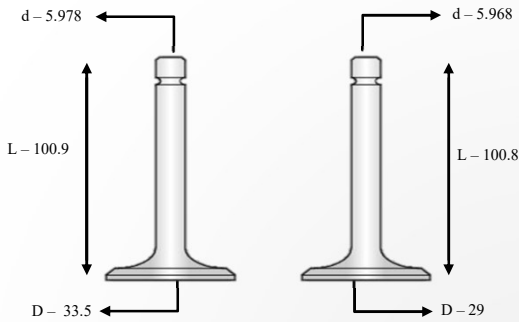


Model : PERKINS TC 1000 CC
Part no Inlet : F40550
Part no Exhaust : F33288
Pieces per carton : 8

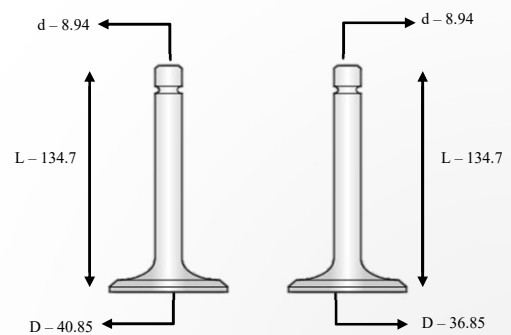
MAHINDRA & MAHINDRA APPLICATION



MAHINDRA & MAHINDRA APPLICATION

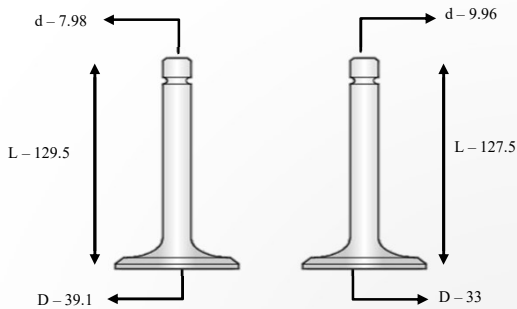


Model : MAHINDRA LOGAN
 Part no Inlet : F50400-P3
 Part no Exhaust : F50405-P3
 Pieces per carton : 8

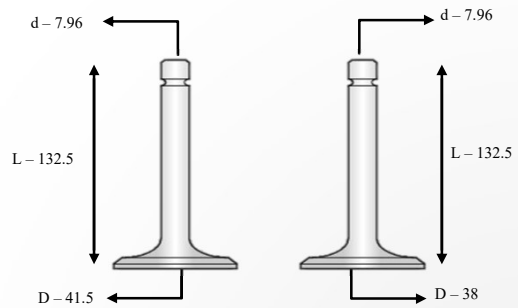


Model : M&M AGNI
 Part no Inlet : F46570
 Part no Exhaust : F46575
 Pieces per carton : 4

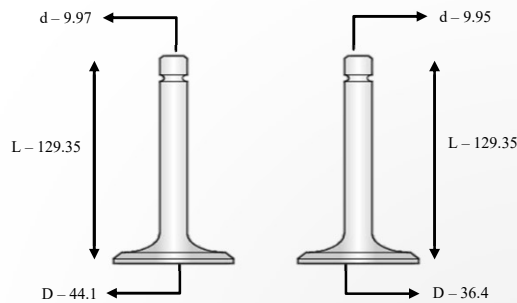
HMT ZETOR APPLICATION



Model : HMT ZETOR 25 11
 Part no Inlet : F01014A
 Part no Exhaust : F01015A
 Pieces per carton : 4

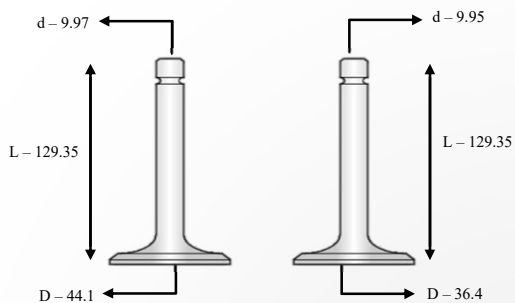


Model : HMT ZETOR 2211 AVL DI
 Part no Inlet : F36242
 Part no Exhaust : F36247
 Pieces per carton : 4

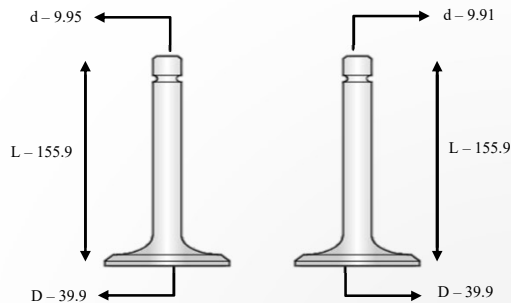


Model : HMT ZETOR 59 11
 Part no Inlet : F33054
 Part no Exhaust : F33055
 Pieces per carton : 8

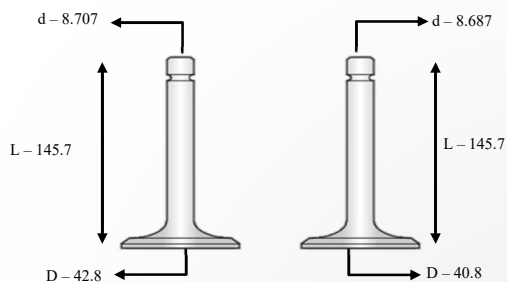
MAHINDRA GUJARAT TRACTOR APPLICATION



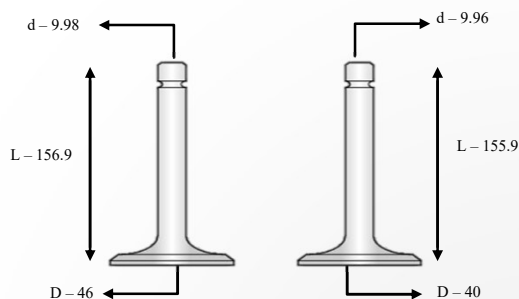
Model :
 Part no Inlet : F33054A
 Part no Exhaust : F33055A
 Pieces per carton : 6



Model : HIND. TRACTOR H50
 Part no Inlet : F01059
 Part no Exhaust : F01060
 Pieces per carton : 8

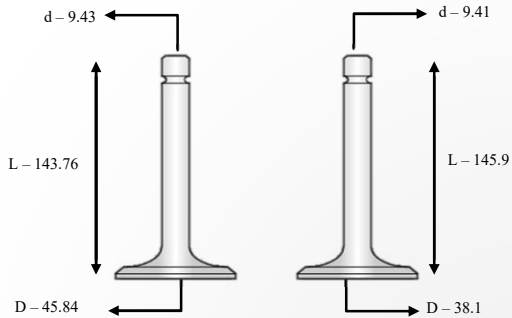


Model: Single cyl Engine (from M & M) Shaktiman 312-
 2cyl; 35,40,45-3 cyl;614-4 cyl and M&M 245 DI Engine
 Part no Inlet : F39293
 Part no Exhaust : F39298
 Pieces per carton : 2

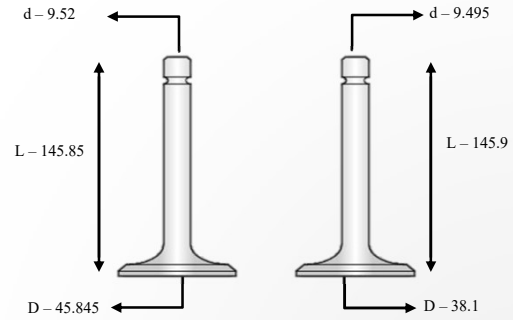


Model : GUJARAT TRACTOR G 614
 Part no Inlet : F33088
 Part no Exhaust : F33089
 Pieces per carton : 8

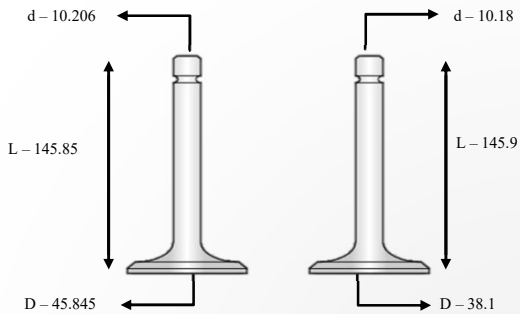
FORD TRACTORS MODELS APPLICATION



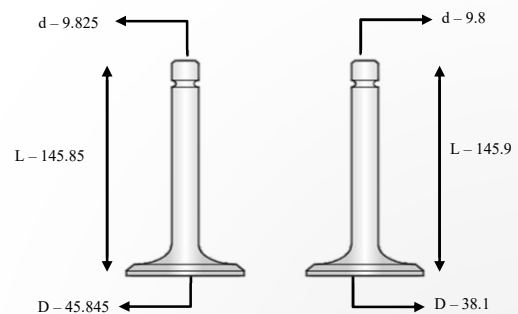
Model : FORD 3600 STD
 Part no Inlet : F01023
 Part no Exhaust : F01024
 Pieces per carton : 6



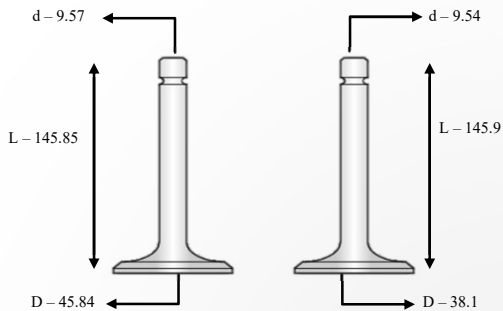
Model : FORD 3600 + 003" O/S
 Part no Inlet : F01041
 Part no Exhaust : F01042
 Pieces per carton : 6



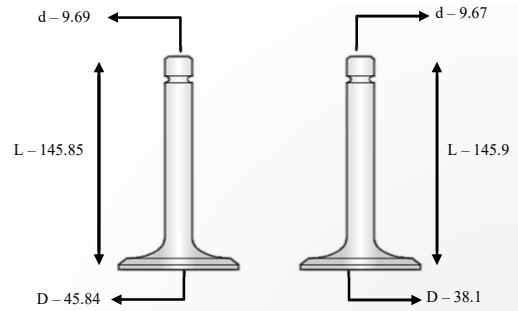
Model : FORD 3600 + 0.30" O/S
 Part no Inlet : F01045
 Part no Exhaust : F01046
 Pieces per carton : 6



Model : FORD 3600 + 0.15" O/S
 Part no Inlet : F01043
 Part no Exhaust : F01044
 Pieces per carton : 6

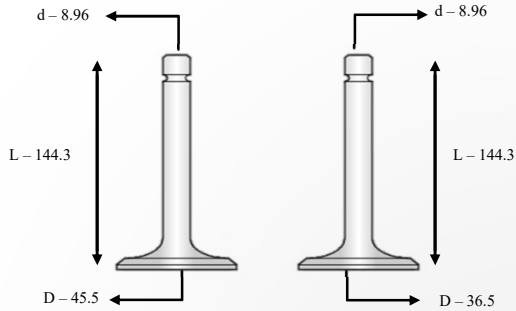


Model : FORD 3600 + .005" O/S
 Part no Inlet : F33374
 Part no Exhaust : F33375
 Pieces per carton : 6

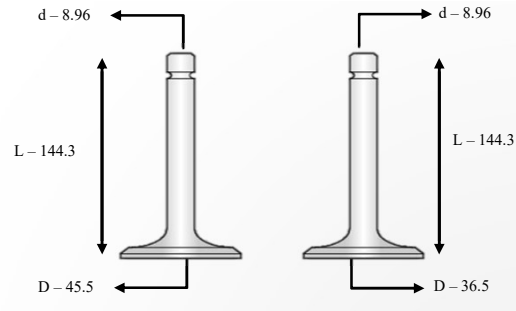


Model : FORD 3600 + 0.010" O/S
 Part no Inlet : F33376
 Part no Exhaust : F33377
 Pieces per carton : 6

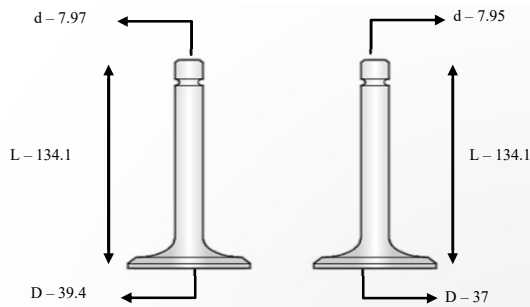
ESCORTS APPLICATION



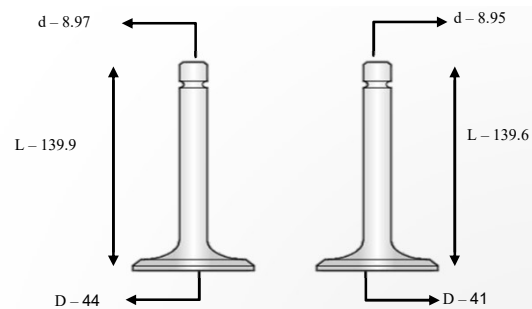
Model : ESCORTS 335 (S - 312D)
 Part no Inlet : F33611
 Part no Exhaust : F33379
 Pieces per carton : 4



Model : ESCORTS E -335,E-325 MULTIGROOVE
 Part no Inlet : F40110
 Part no Exhaust : F40115
 Pieces per carton : 4

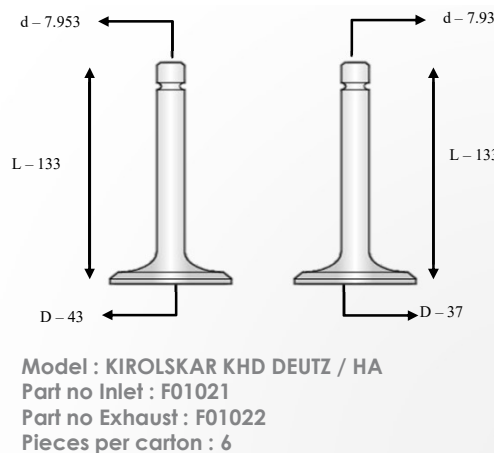
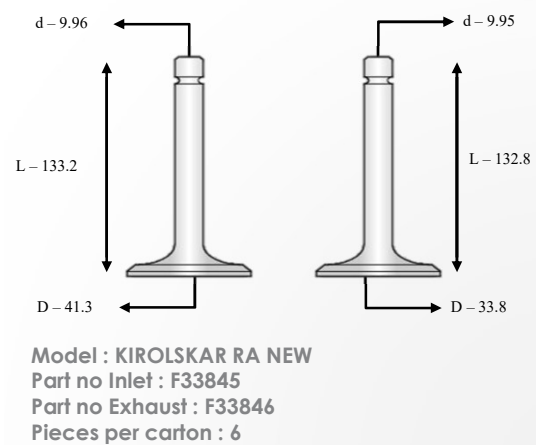
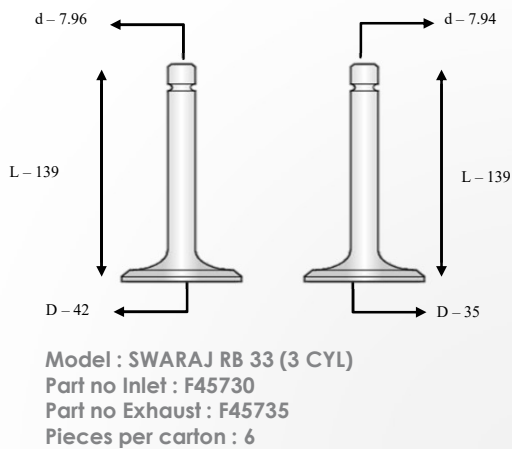
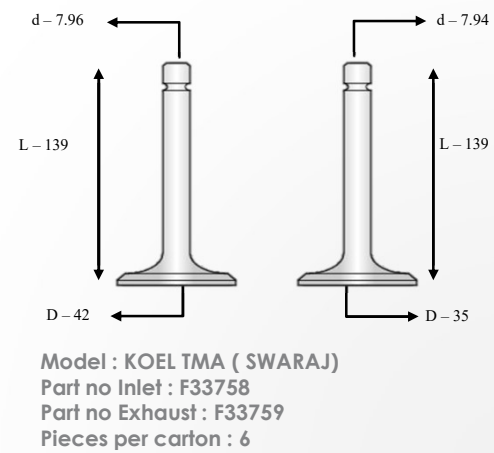
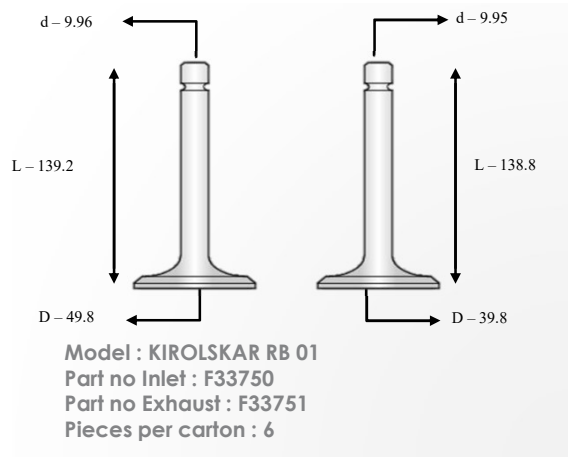


Model : ESCORTS - AVL /E-430/ E435/FT30/FT35
 Part no Inlet : F39680
 Part no Exhaust : F39685
 Pieces per carton : 6

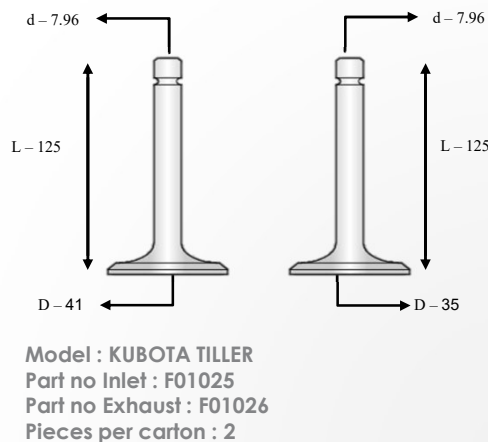
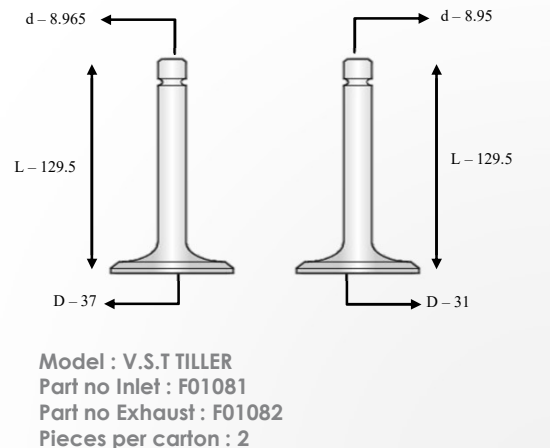
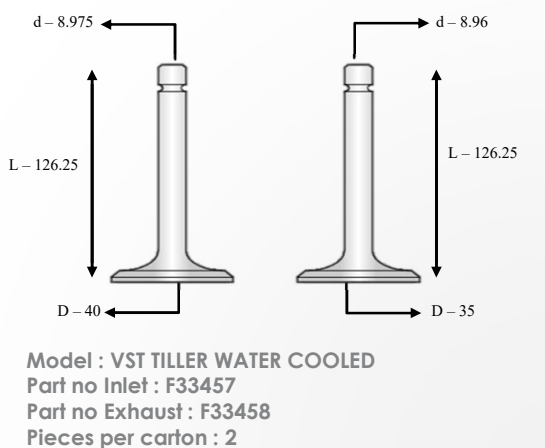
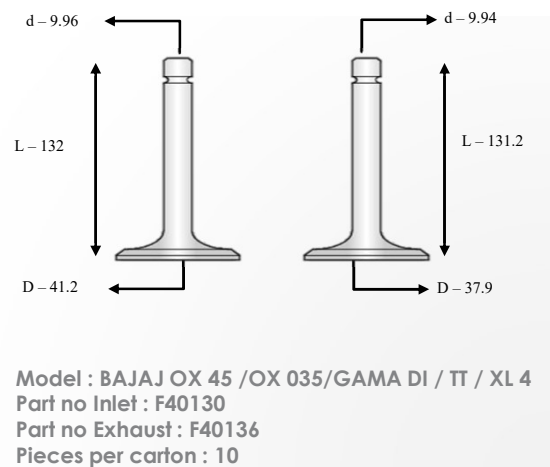
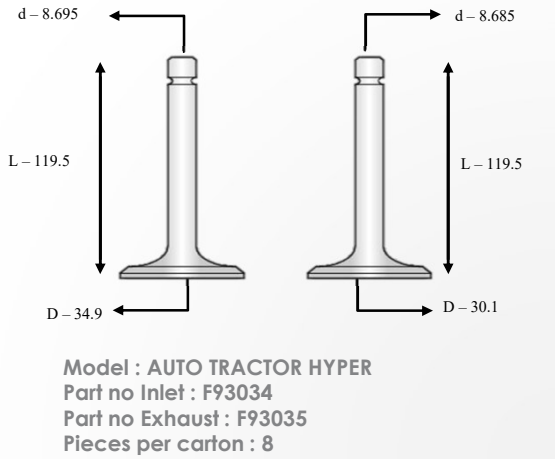


Model : ESCORTS 340 AVL-DI/ E-440/E450 / E-340
 Part no Inlet : F33667
 Part no Exhaust : F33668
 Pieces per carton : 6

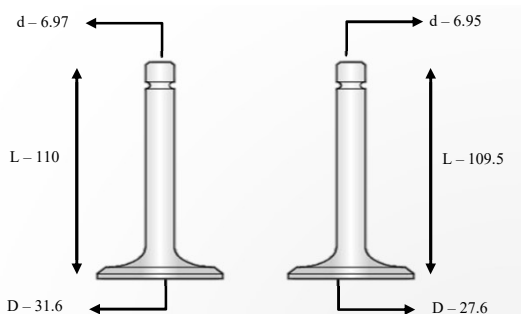
KIROLSKAR / SWARAJ APPLICATION



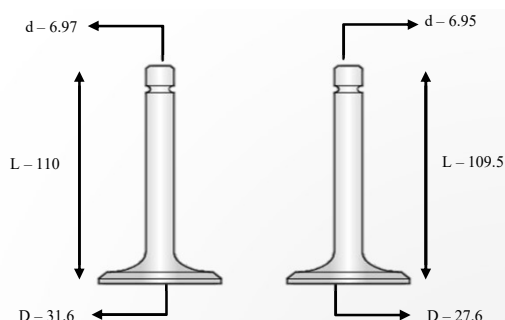
OTHER TRACTORS APPLICATION



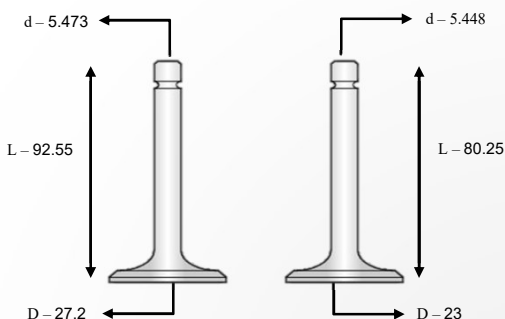
MARUTI APPLICATION



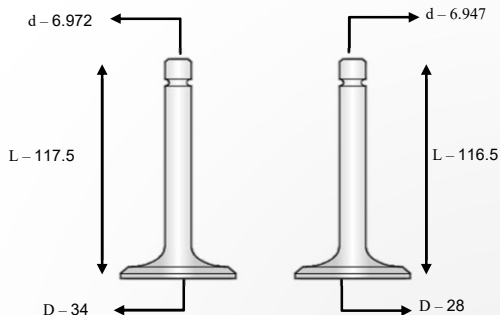
Model : MARUTI 800 CC TUFF
 Part no Inlet : F38374
 Part no Exhaust : F38379
 Pieces per carton : 6



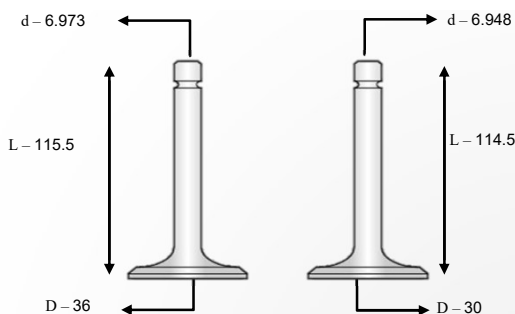
Model : MARUTI 800 CC SUPER CF
 Part no Inlet : F43236
 Part no Exhaust : F43237
 Pieces per carton : 6



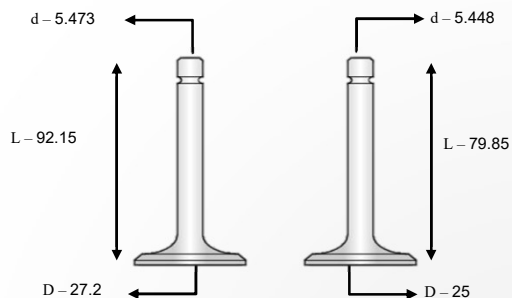
Model : MARUTI ZEN MPFI
 Part no Inlet : F41401
 Part no Exhaust : F41406
 Pieces per carton : 16



Model : MARUTI ZEN – PETROL
 Part no Inlet : F37574
 Part no Exhaust : F37579
 Pieces per carton : 8

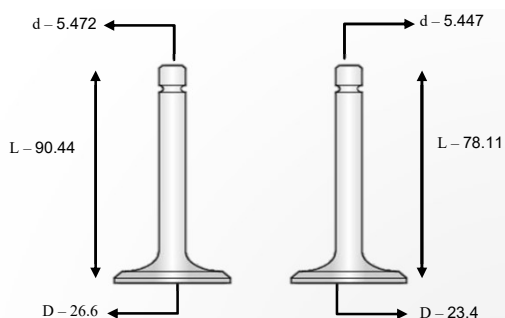


Model : MARUTI ESTEEM
 Part no Inlet : F39250
 Part no Exhaust : F39256
 Pieces per carton : 8

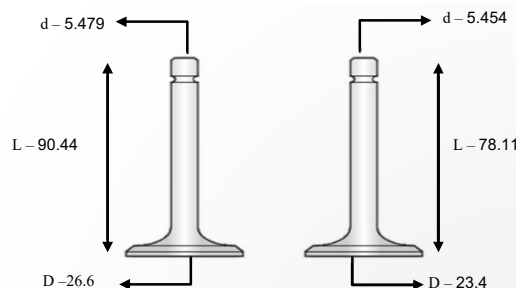


Model: MARUTI ESTEEM MPFI/BALENO/VERSA/
 SWIFT/GYPSY KING MPFI
 Part no Inlet: F41410
 Part no Exhaust: F41416
 Pieces per carton: 16

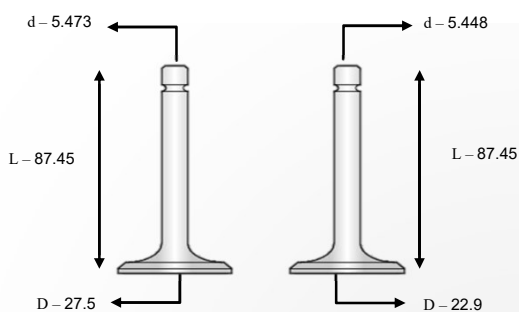
MARUTI APPLICATION



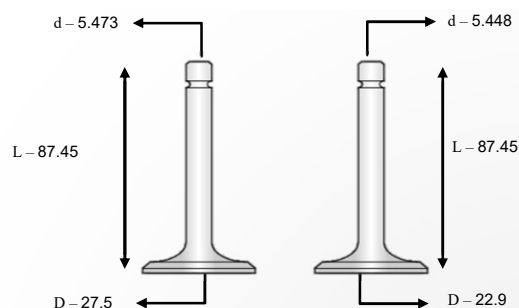
Model : MARUTI MPFI 800CC/ALTO LX
 Part no Inlet : F40830
 Part no Exhaust : F40837
 Pieces per carton : 12



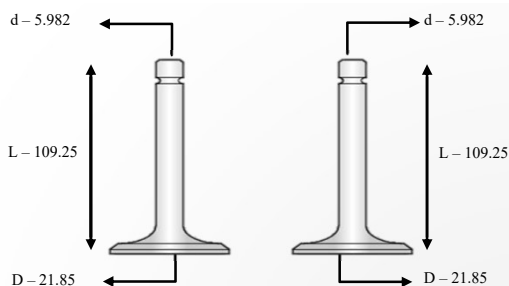
Model : WAGON R /ALTO VX /ZEN ESTILO
 Part no Inlet : F40830B
 Part no Exhaust : F40837B
 Pieces per carton : 16



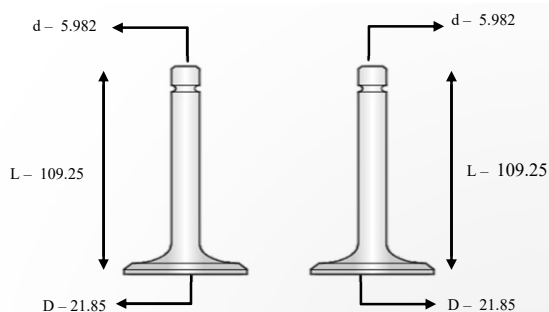
Model : WAGON R NEW K Series Engine
 Part no Inlet : F46210B
 Part no Exhaust : F46215B
 Pieces per carton : 12



Model: MODEL K series engine-YN 4 Swift P & Dzire (P);
 YR-9, YV4-Ritz (P); Alto New K10
 Part no Inlet : F46210
 Part no Exhaust : F46215
 Pieces per carton : 16

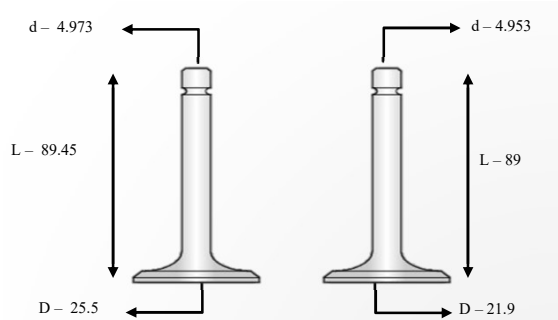


Model: Swift Diesel/Indica vesta/Tata Manza Jet/Fiat
 Palio Style Jet/Fiat Punto Multi Jet/ Fiat Linea Multi Jet
 Part no Inlet : F47020
 Part no Exhaust : F47025
 Pieces per carton : 16

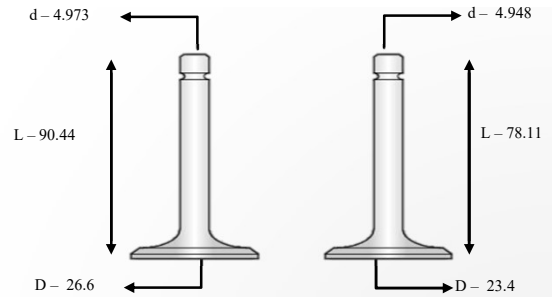


Model : Chevrolet Beat
 Part no Inlet : F47020B
 Part no Exhaust : F47025B
 Pieces per carton : 12

MARUTI APPLICATION

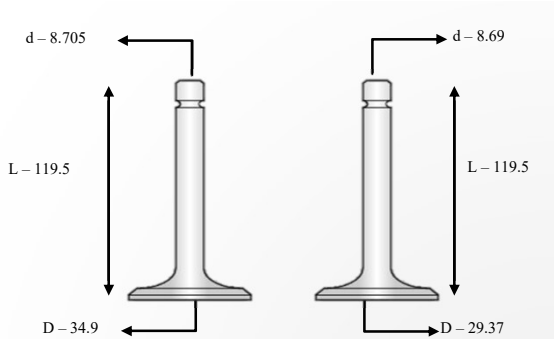


Model: MSIL K12
 Part no Inlet: F47221
 Part no Exhaust: F47226
 Pieces per carton: 16



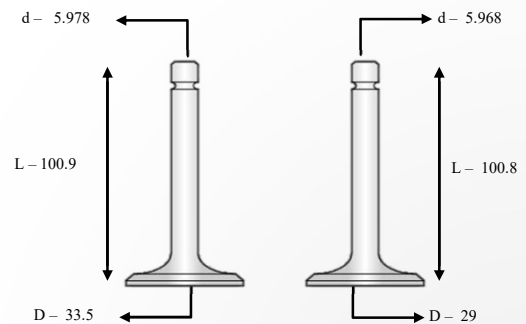
Model: NEW F8D
 Part no Inlet: F48430P4
 Part no Exhaust: F48435P4
 Pieces per carton: 12

AMBASSADOR MODEL



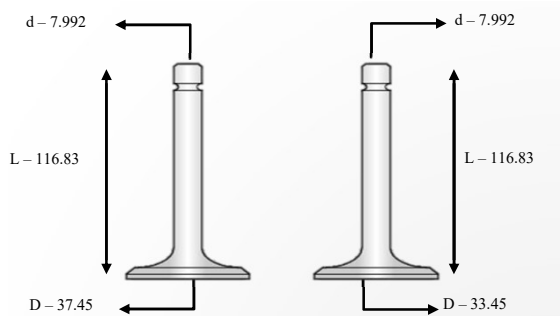
Model: HM + (DIESEL)
 Part no Inlet: F38430
 Part no Exhaust: F33238
 Pieces per carton: 8

M&M MODELS

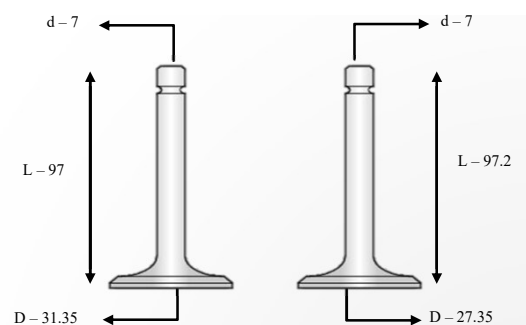


Model: MAHINDRA LOGAN
 Part no Inlet: F50400-P3
 Part no Exhaust: F50405-P3
 Pieces per carton: 8

FIAT MODELS

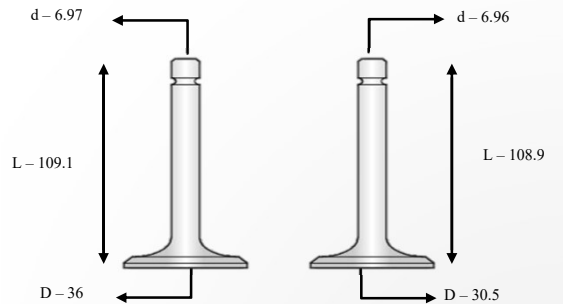


Model: FIAT UNO - DIESEL
 Part no Inlet: F41090
 Part no Exhaust: F41095
 Pieces per carton: 8

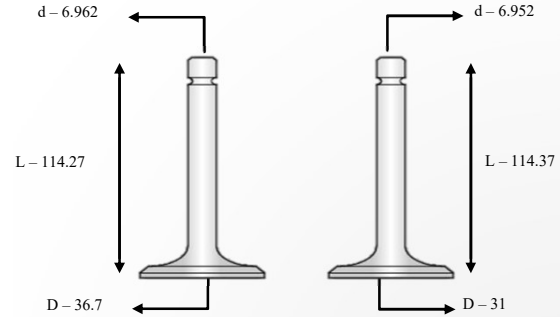


Model: FIAT PALIO
 Part no Inlet: F40751
 Part no Exhaust: F40756
 Pieces per carton: 8

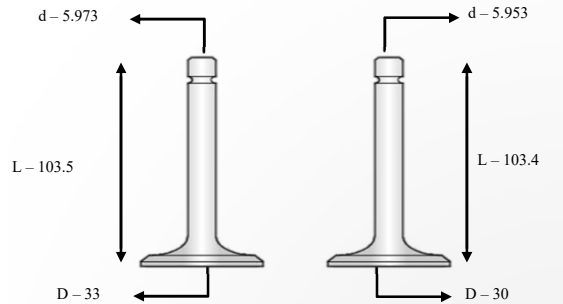
TATA PASSENGER CAR MODEL



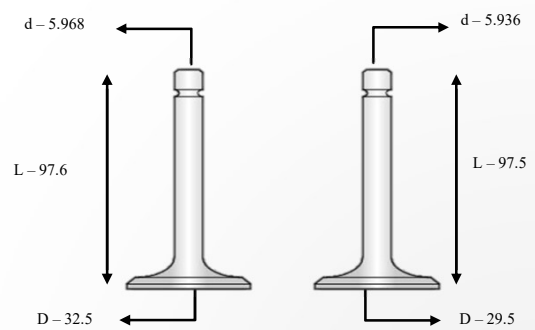
Model: TATA INDICA/INDIGO (D), Indica NA BS II, 3 Tcici xi
 Part no Inlet: F40460
 Part no Exhaust: F40465
 Pieces per carton: 8



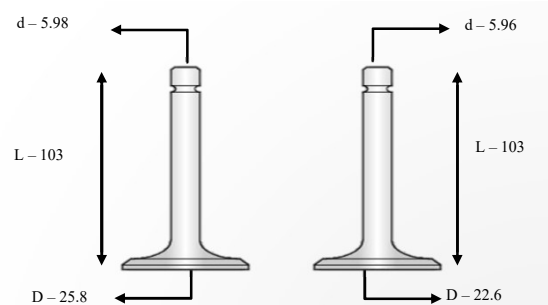
Model: Tata Indica Xeta/Petrol
 Part no Inlet: F40842
 Part no Exhaust: F40847
 Pieces per carton: 8



Model: TATA NANO (D)
 Part no Inlet: F40233
 Part no Exhaust: F40238
 Pieces per carton: 4

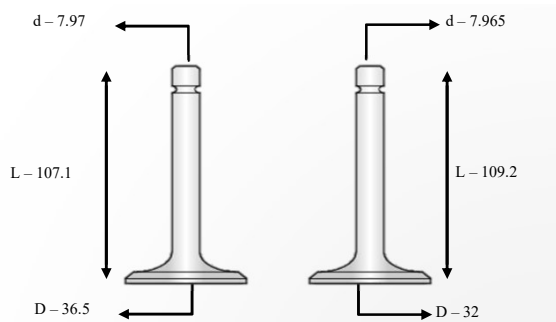


Model: TATA NANO (P)
 Part no Inlet: F40232
 Part no Exhaust: F40237
 Pieces per carton: 4



Model: TATA 1.4 LTR CRDe (Indigo CS, Indigo Marina)
 Part no Inlet: F40462
 Part no Exhaust: F40467
 Pieces per carton: 16

FORD MODEL



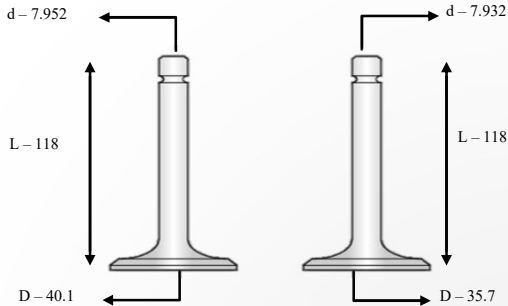
Model: FORD ICON/FIESTA - 1.8 D

Part no Inlet: F36290

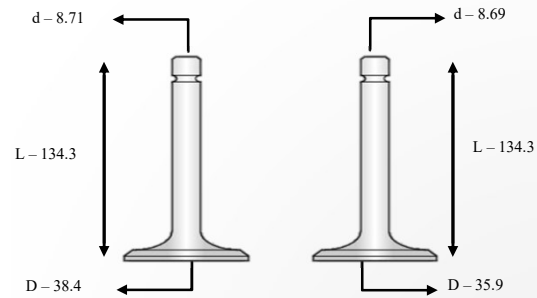
Part no Exhaust: F36295

Pieces per carton:8

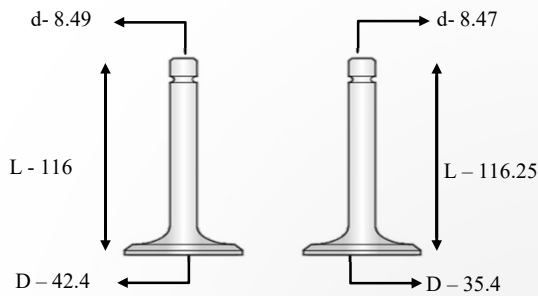
UV MODEL



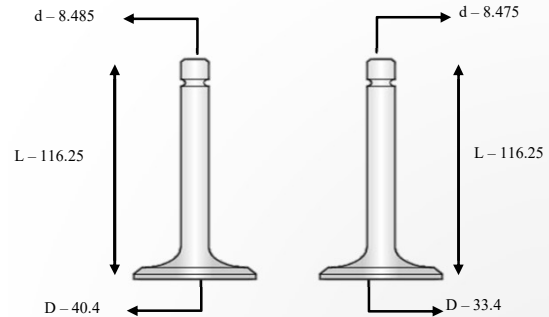
Model : Chevrolet Tavera
Part no Inlet :F46690
Part no Exhaust :F46695
Pieces per carton :8



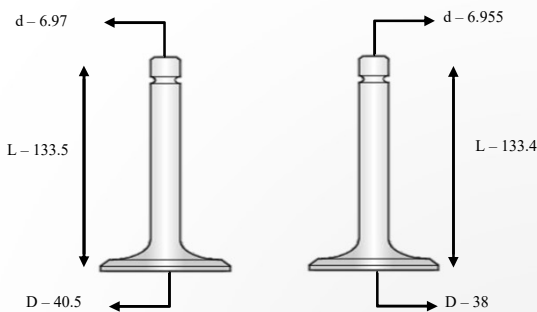
Model : M&M MDI 3200 ENGINE/MDI 3900 IN (Bolero, Pick up)
Part no Inlet : F45660
Part no Exhaust :F45665
Pieces per carton :8



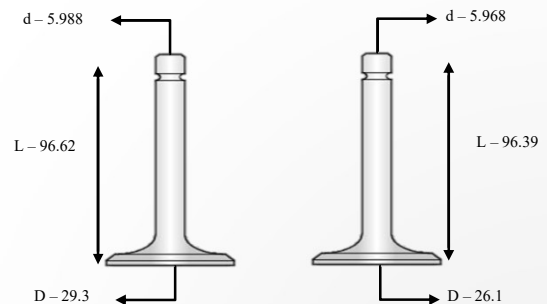
Model: M&M PEUGEOT XD3P (Bolero)
Part no Inlet : F33782
Part no Exhaust :F33783
Pieces per carton :8



Model : M & M PEUGEOT
Part no Inlet : F33048
Part no Exhaust: F33049
Pieces per carton :8

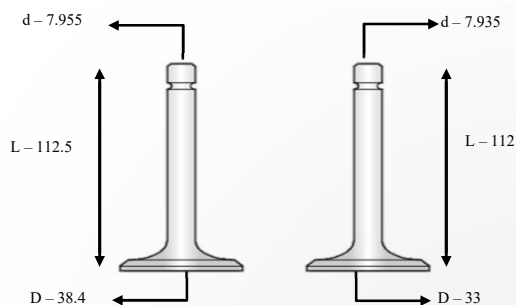


Model : M&M SCORPIO NEF (Xylo, Bolero)
Part no Inlet : F40574
Part no Exhaust : F40579
Pieces per carton :8

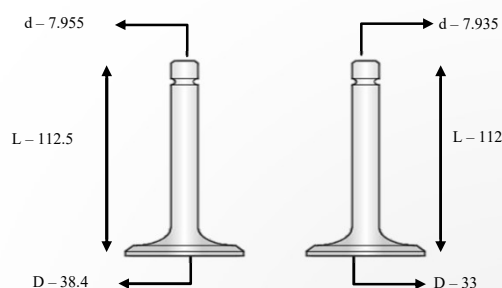


Model: M&M SCORPIO EAGLE M-HAWK (Scorpio, Maximo)
Part no Inlet :F45790
Part no Exhaust : F45795
Pieces per carton :16

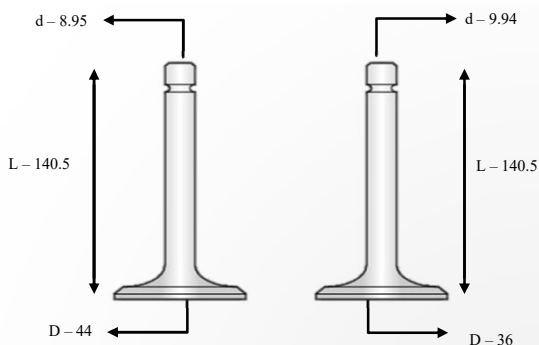
UV MODEL



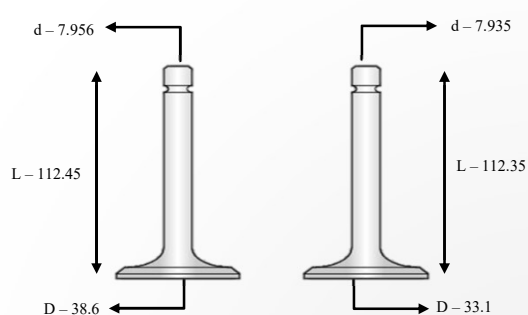
Model: TATAMOBILE-207/SUMO,CF, Sumo Victa
 Part no Inlet: F37270
 Part no Exhaust: F33672
 Pieces per carton: 8



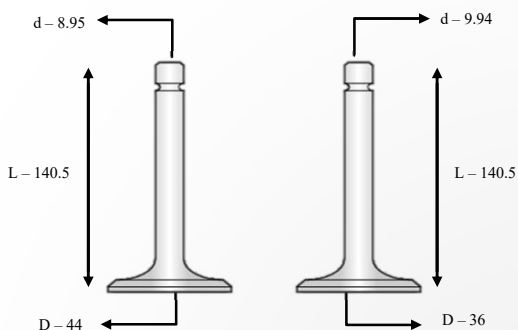
Model : TATA SUMO TUFF, Sumo Victa
 Part no Inlet :F37271
 Part no Exhaust : F37276
 Pieces per carton :8



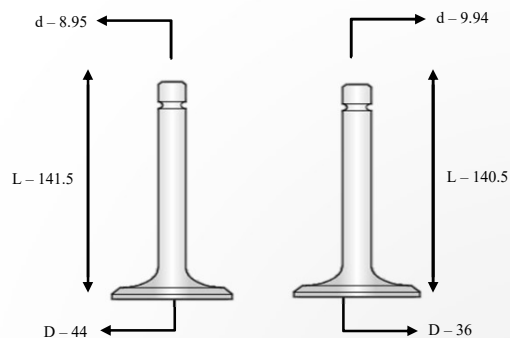
Model :SUMO SPACIO (CF)
 Part no Inlet : F01007A
 Part no Exhaust : F01008A
 Pieces per carton :8



Model :TATA SAFARI / SUMO DLX/VICTA DI
 Part no Inlet : F38290
 Part no Exhaust :F38295
 Pieces per carton :8

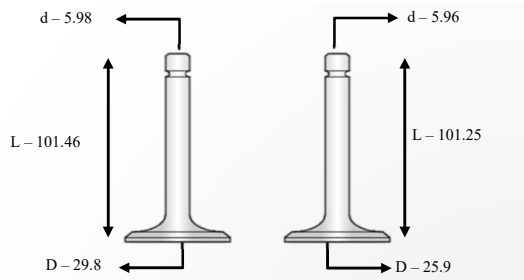


Model: SUMO SPACIO (TUFF)
 Part no Inlet : F39590A
 Part no Exhaust : F39595A
 Pieces per carton :8

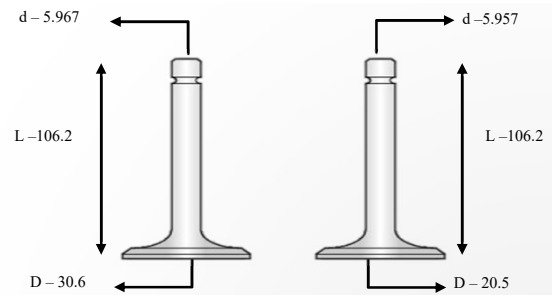


Model :SPACIO EURO II – UV
 Part no Inlet : F49590A
 Part no Exhaust : F49595A
 Pieces per carton :8

UV MODEL

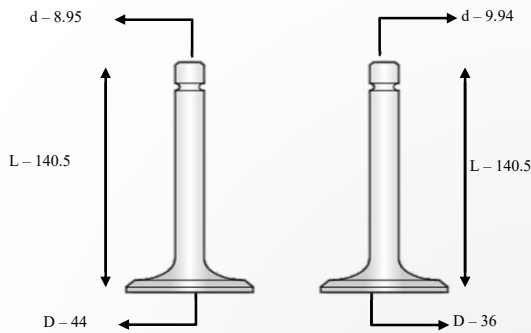


Model: Tata 2.2 Ltr Safari Dicor/Sumo Grande/
Winger/Crossover/Phoenix(Diesel)
Part no Inlet: F40463
Part no Exhaust: F40468
Pieces per carton:16

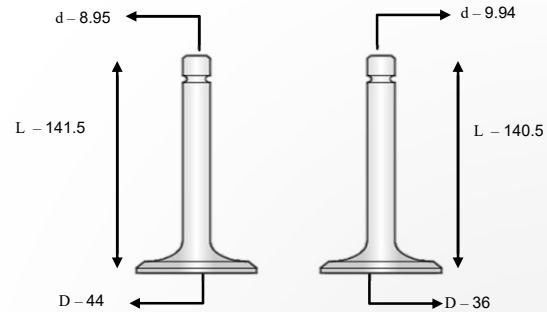


Model: TOYOTA INNOVA
Part no Inlet : F46840
Part no Exhaust :F46845
Pieces per carton :16

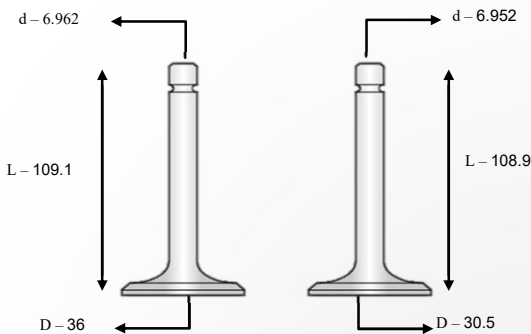
LCV MODEL



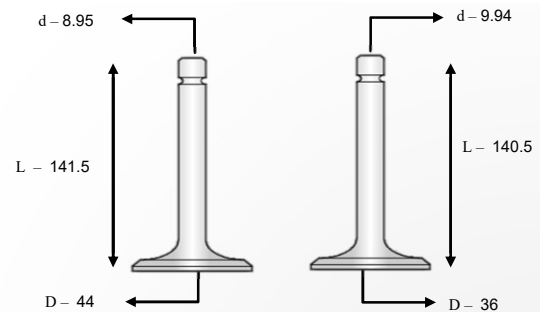
Model: TATA – 407
 Part no Inlet: F01007A
 Part no Exhaust: F01008A
 Pieces per carton:8



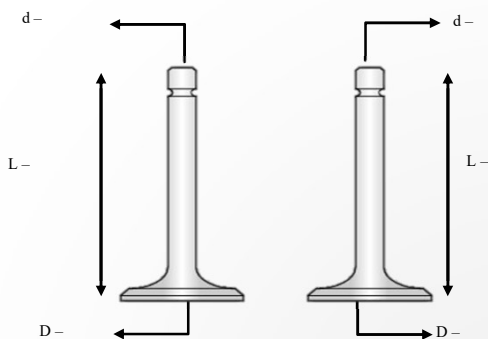
Model: TATA - 497/4SP ENGINE EURO- II (4 SP 407) TURBO
 Part no Inlet: F49590BTA
 Part no Exhaust: F49595BTA
 Pieces per carton: 8



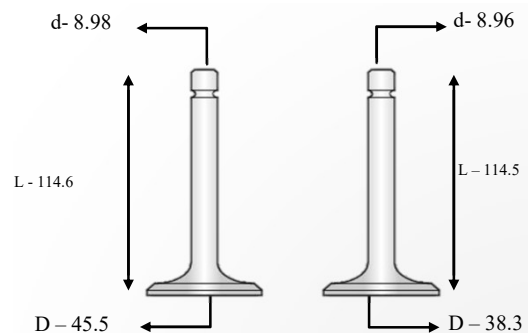
Model :TATA ACE
 Part no Inlet :F40460B
 Part no Exhaust :F40465B
 Pieces per carton :4



Model: TATA-407 TURBOCHARGER EURO-III(4 SP, 709)
 Part no Inlet: F39594BA
 Part no Exhaust: F39599BA
 Pieces per carton: 8

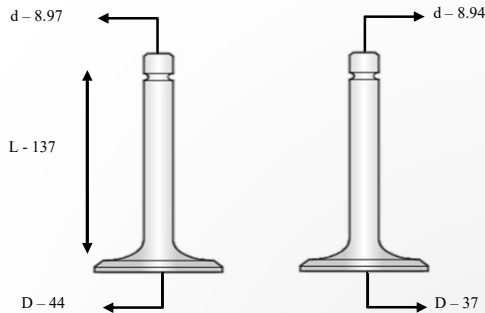


Model: Tata Ace CNG
 Part no Inlet: F40842B
 Part no Exhaust: F40847B
 Pieces per carton: 4

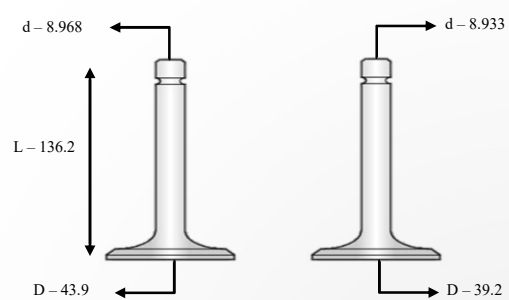


Model: SWARAJ MAZDA T 3500
 Part no Inlet: F33320
 Part no Exhaust: F33321
 Pieces per carton: 8

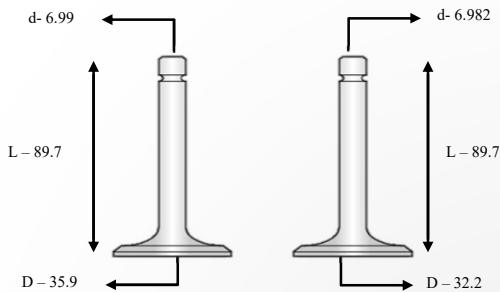
LCV MODEL



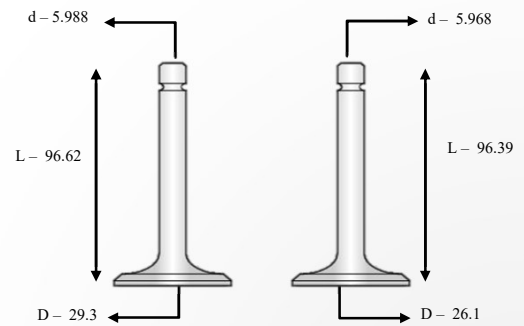
Model :EICHER CANTER
Part no Inlet :F33394
Part no Exhaust :F33395
Pieces per carton :8



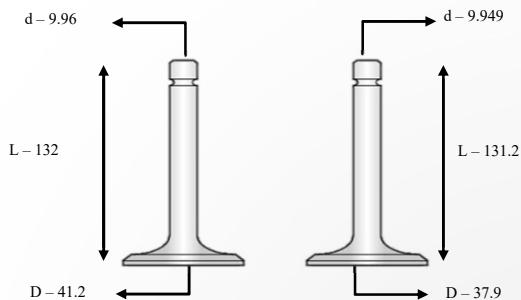
Model :EICHER CANTER 493 ENGINE
(Canter/MCV-LCV; Jumbo/Galaxy-MHV)
Part no Inlet :F40740
Part no Exhaust :F40745
Pieces per carton :8



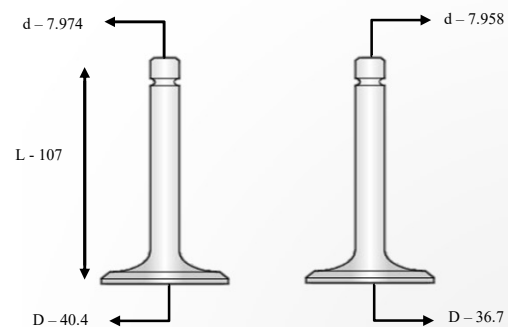
Model: AL P15 DOST (CRDI Turbo Charged Diesel Engine 1478CC)
Part no Inlet: F46491
Part no Exhaust: F46496
Pieces per carton: 6



Model: Mahindra Maximo CRDe Engine
Part no Inlet: F45790B
Part no Exhaust: F45795B
Pieces per carton: 8

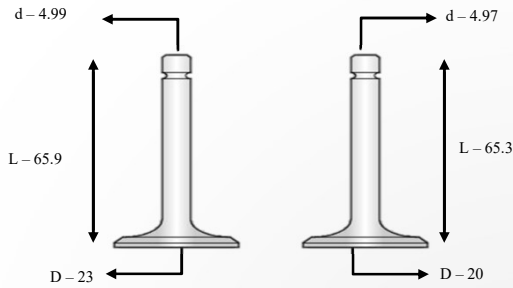


Model: FM TEMPO TRAVELLER
Part no Inlet: F50010-P3
Part no Exhaust: F50015-P3
Pieces per carton: 8

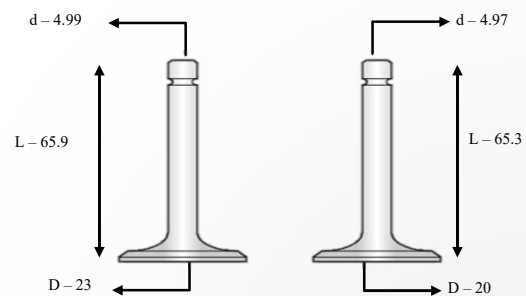


Model :TATA IRIS
Part no Inlet : F50410-P3
Part no Exhaust : F50415-P3
Pieces per carton :2

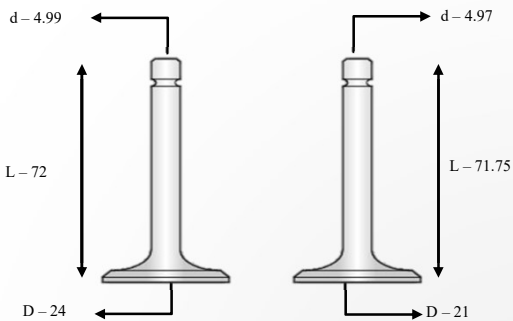
HERO MOTOCORP



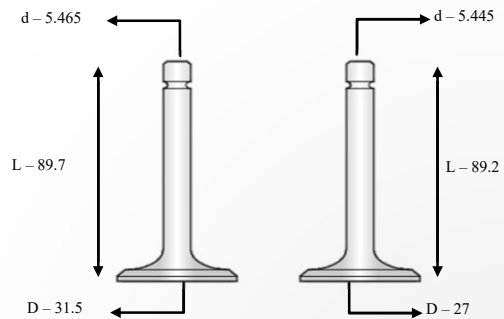
Model: HERO HONDA CD 100/CD 100 SS/SLEEK/
STREET/JOY/SPLENDOR/JOY/STREET SMART/
Passion/Mahindra Nova/Velocity
Part no Inlet: F93584
Part no Exhaust: F43585
Pieces per carton: 2



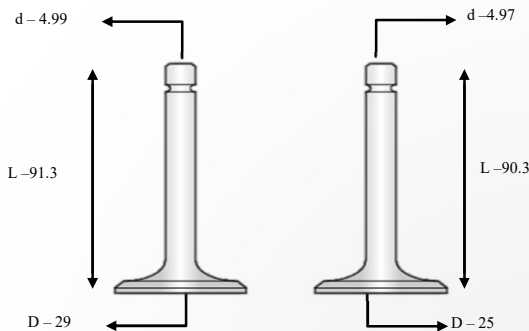
Model : HERO HONDA CD 100/CD 100 SS/SLEEK/
STREET/JOY/SPLENDOR/JOY/STREETSMART/
Passion/Mahindra Nova/Velocity
Part no Inlet: F43584
Part no Exhaust: F43585
Pieces per carton: 2



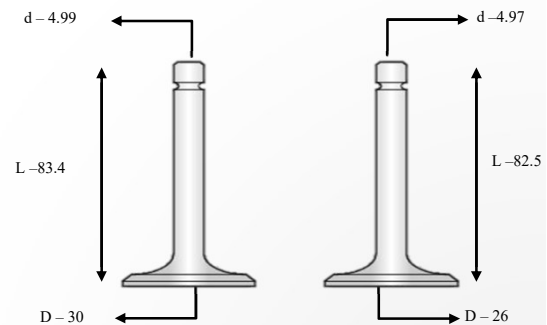
Model: HERO HONDA P90 SUPER
SPLENDOR/GLAMOUR
Part no Inlet : F46880
Part no Exhaust : F46885
Pieces per carton : 2



Model: HERO HONDA CBZ KARIZMA-P 40/P70
Part no Inlet : F40690
Part no Exhaust : F40695
Pieces per carton : 2

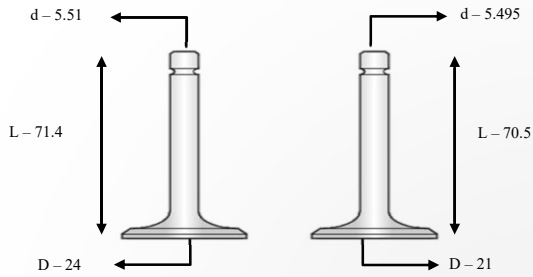


Model: Hero Honda P60/Ambition
Part no Inlet: F40691
Part no Exhaust: F40696
Pieces per carton: 2

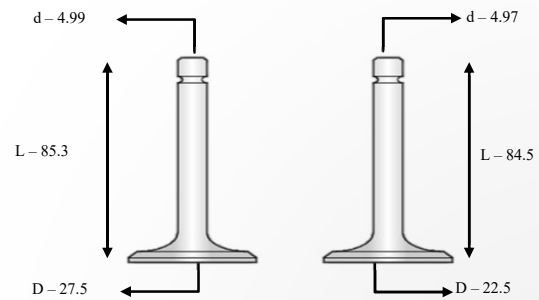


Model: KVE Engine Hunk DSS/CBZ
Extreme/Unicorn/HH Achiever
Part no Inlet: F40691
Part no Exhaust: F40696
Pieces per carton: 2

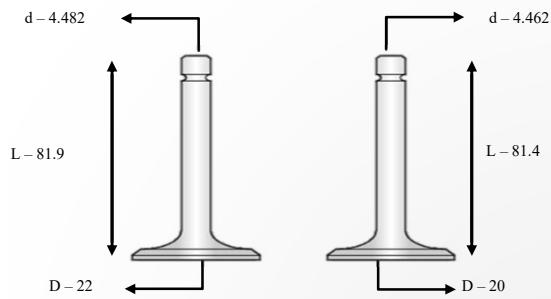
BAJAJ



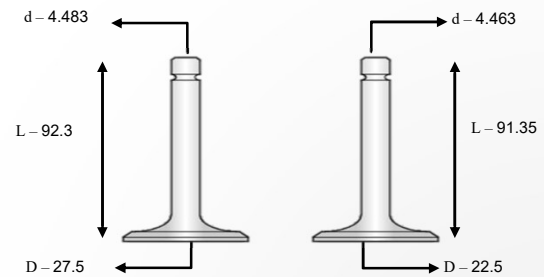
Model : BAJAJ KAWASAKI 4S/CT100
 Part no Inlet : F33712
 Part no Exhaust : F33713
 Pieces per carton : 2



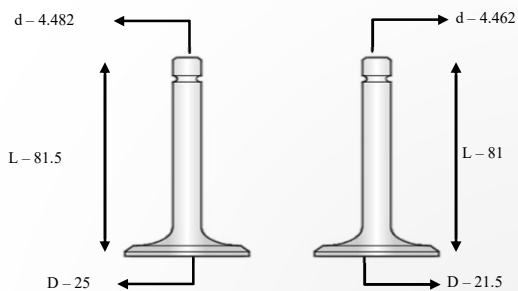
Model : Bajaj Pulsar 150
 Part no Inlet : F41630
 Part no Exhaust : F41635
 Pieces per carton : 2



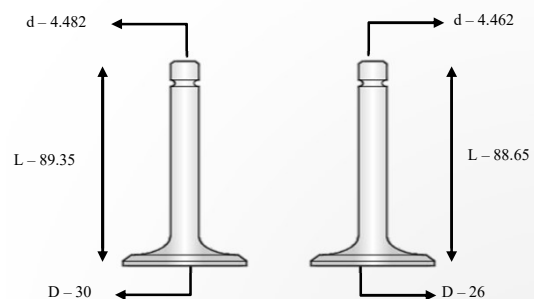
Model: Bajaj Discover 100CC
 Part no Inlet: F46990
 Part no Exhaust: F46995
 Pieces per carton: 2



Model: Bajaj Discover DTSI, Pulsar 150 DTSI/180 DTSI (ALL MODELS), DISCOVER 112/125/135 CC
 Part no Inlet : F41632
 Part no Exhaust : F41637
 Pieces per carton : 2

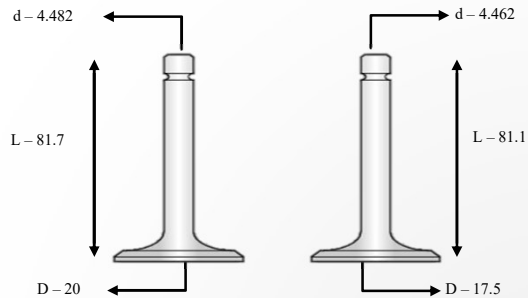


Model : Bajaj XCD 125/135 CC
 Part no Inlet : F47000
 Part no Exhaust : F47005
 Pieces per carton : 2

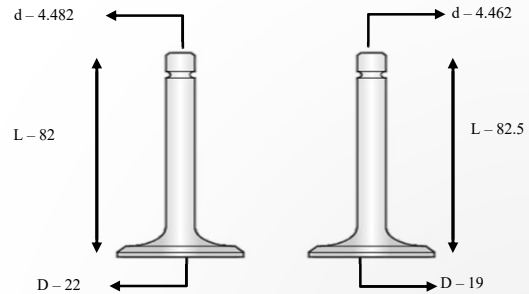


Model : Bajaj 180 cc
 Part no Inlet : F41644P4
 Part no Exhaust : F41649P4
 Pieces per carton : 2

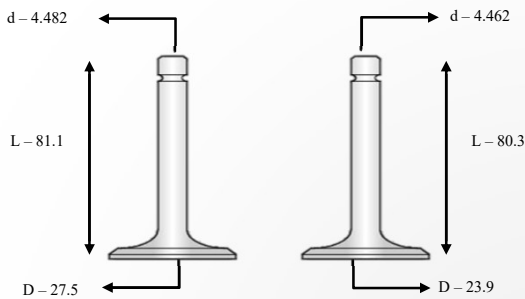
BAJAJ



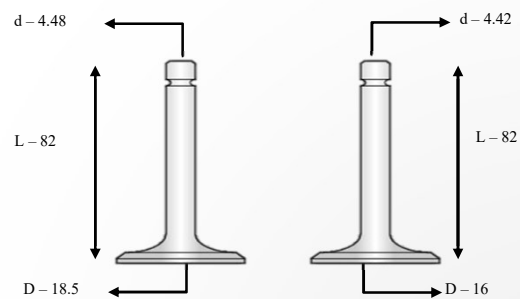
Model : PULSAR 135CC
 Part no Inlet : F47870P4
 Part no Exhaust : F47875P4
 Pieces per carton : 2



Model : DISCOVER 125 CC
 Part no Inlet : F47860P4
 Part no Exhaust : F47865P4
 Pieces per carton : 2

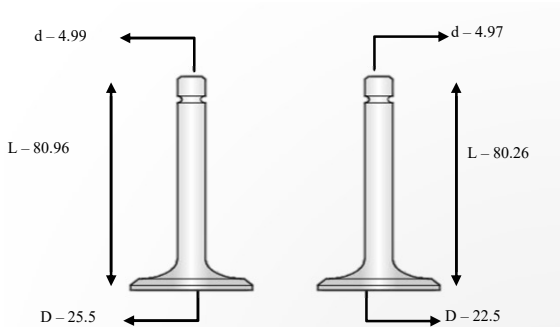


Model : DISCOVER 150 CC
 Part no Inlet : F47880P4
 Part no Exhaust : F47885P4
 Pieces per carton : 2

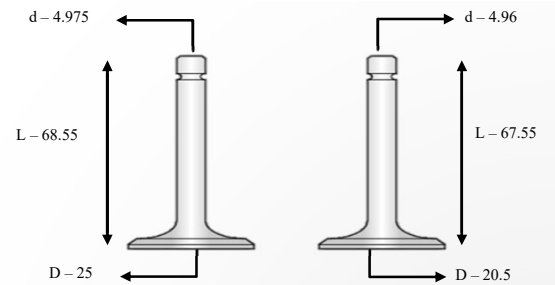


Model : DISCOVER 100M
 Part no Inlet : F48180P4
 Part no Exhaust : F48185P4
 Pieces per carton : 2

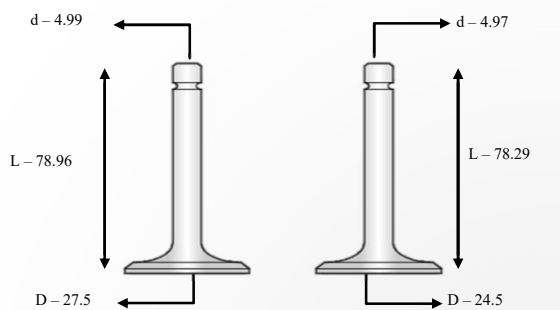
TVS



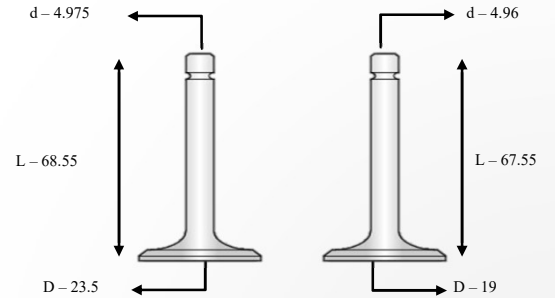
Model: TVS FIERO/APACHE 150/U86/ WEGO
 Part no Inlet : F40473
 Part no Exhaust : F40478
 Pieces per carton : 2



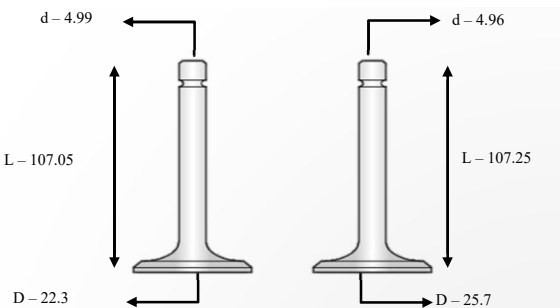
Model: TVS VICTOR/CENTRA /STAR/
 STARCITY/STAR SPORT/VICTOR GLX
 Part no Inlet : F40471
 Part no Exhaust : F40476
 Pieces per carton : 2



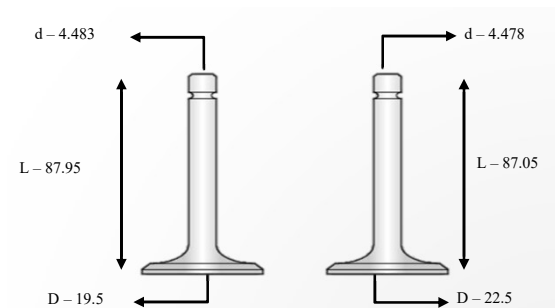
Model: TVS Apache Variant - RTR
 Part no Inlet: F40473A
 Part no Exhaust: F40478A
 Pieces per carton: 2



Model : TVS SCOOTY PEP
 Part no Inlet : F40474C
 Part no Exhaust : F40479
 Pieces per carton : 2

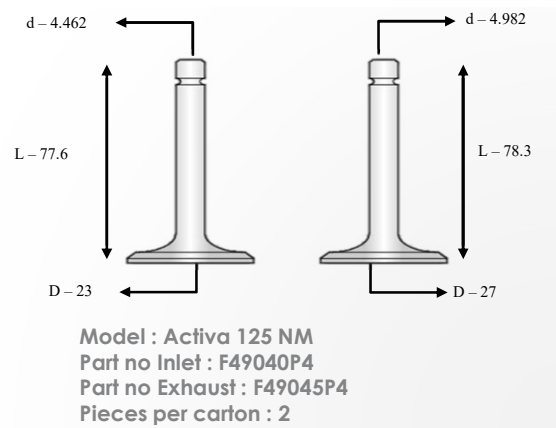
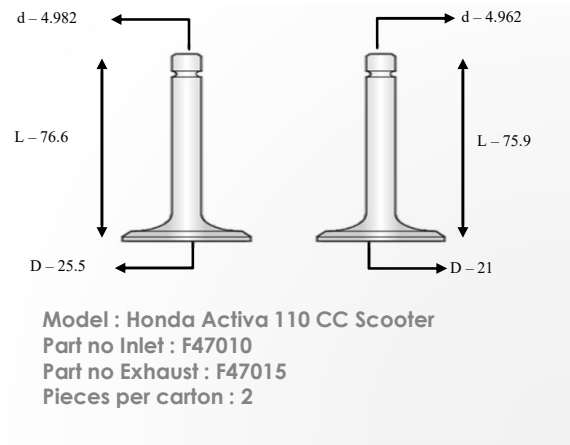
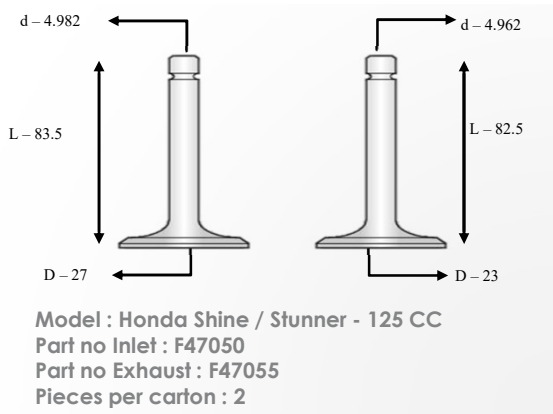
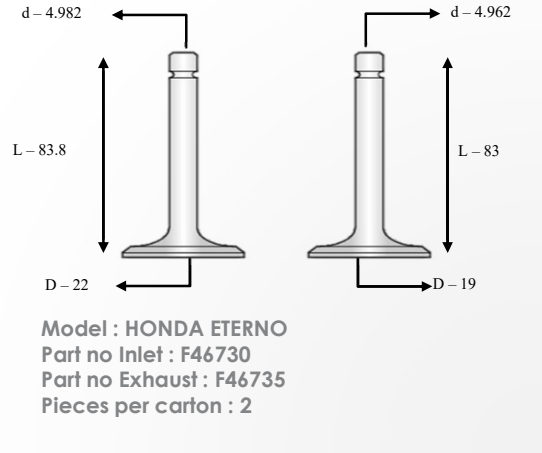
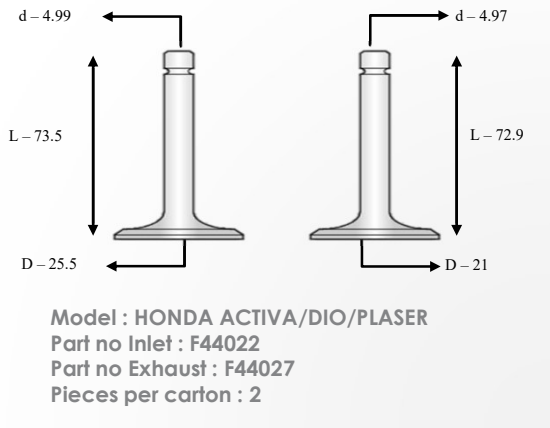


Model: TVS FLAME 125 CC - N 90
 Part no Inlet: F45811
 Part no Exhaust: F45816
 Pieces per carton: 2

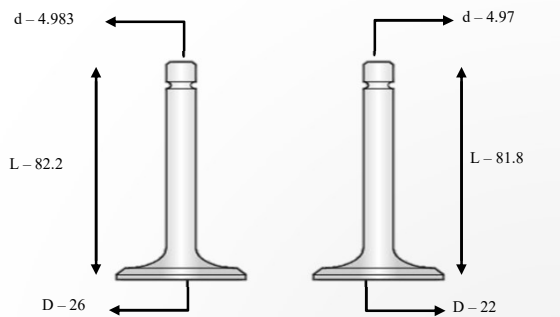


Model : TVS U177 Valve
 Part no Inlet : F46972P4
 Part no Exhaust : F46977P4
 Pieces per carton : 2

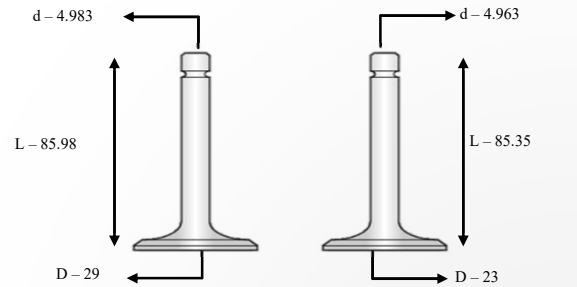
HONDA



MAHINDRA

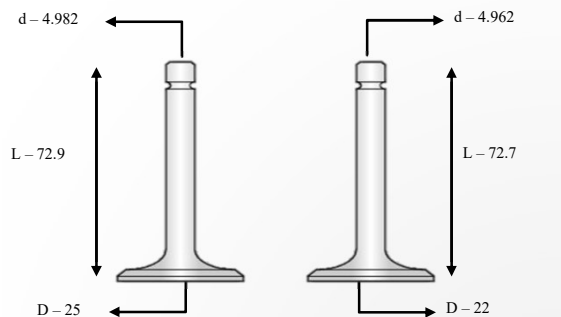


Model: Mahindra 2 Wheeler Smile - Flyte
 Part no Inlet: F38264
 Part no Exhaust : F38269
 Pieces per carton : 2

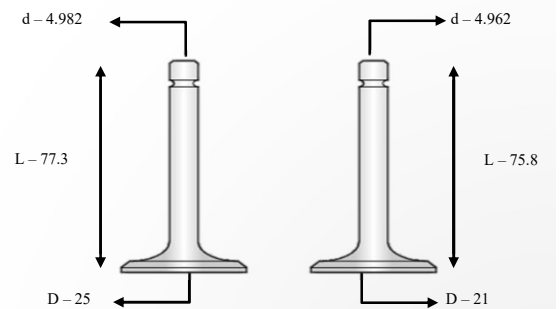


Model: MSIL-2W GSX 150
 Part no Inlet: F47230P4
 Part no Exhaust: F47235P4
 Pieces per carton: 2

SUZUKI

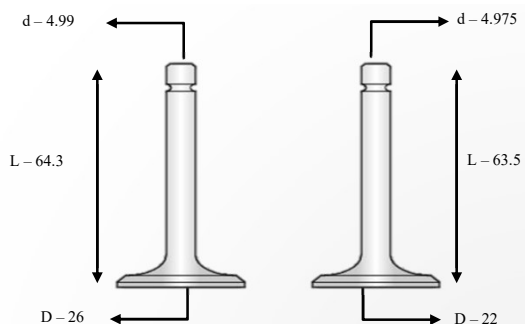


Model: Suzuki Access/Suzuki Sling Short/ Suzuki Heat - 125 CC
 Part no Inlet: F47040
 Part no Exhaust: F47045
 Pieces per carton: 2

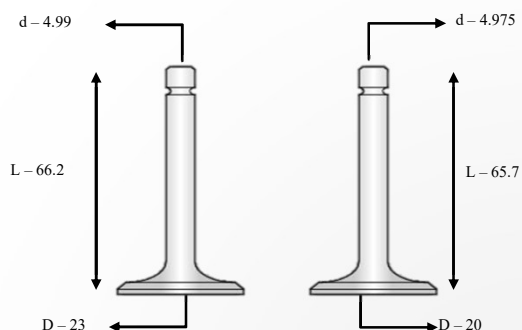


Model: ACCESS 125 NEW MODEL
 Part no Inlet: F47041
 Part no Exhaust: F47046
 Pieces per carton: 2

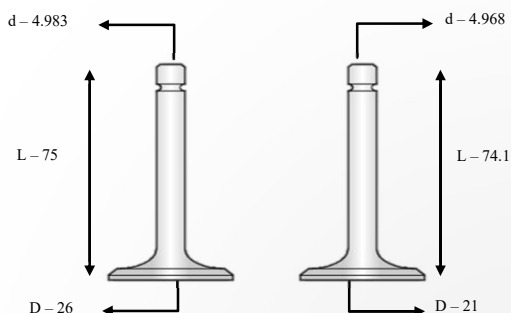
YAMAHA



Model: ESCORTS YAMAHA/YBX/
YD-125/ENTICER
Part no Inlet : F40560
Part no Exhaust : F40565
Pieces per carton : 2

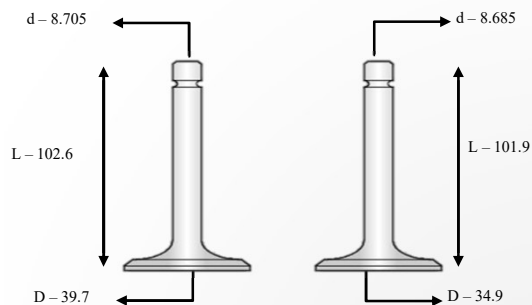


Model: ESCORTS YAMAHA CRUX/LIBERO/
ELIMINATOR /FAIZER
Part no Inlet : F40564
Part no Exhaust : F40569
Pieces per carton : 2



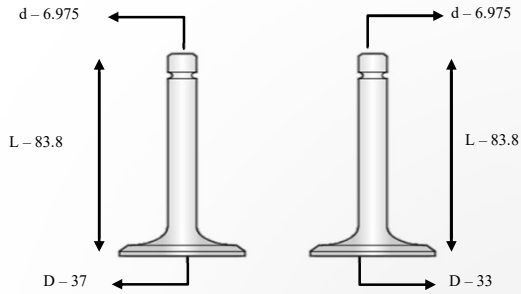
Model : Yamaha Ray
Part no Inlet : F46930
Part no Exhaust : F46935
Pieces per carton : 2

ROYAL ENFIELD

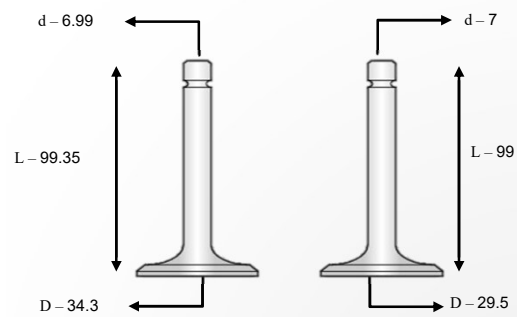


Model : Enfield 350 CC Bullet New version
Part no Inlet : F40144
Part no Exhaust : F40149
Pieces per carton : 2

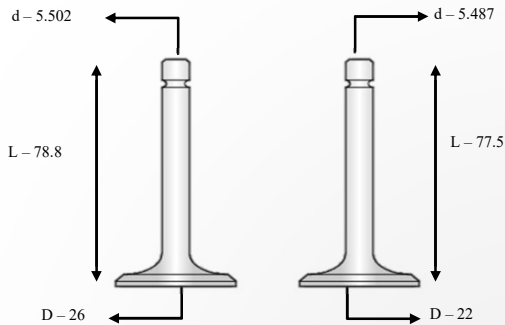
BAJAJ



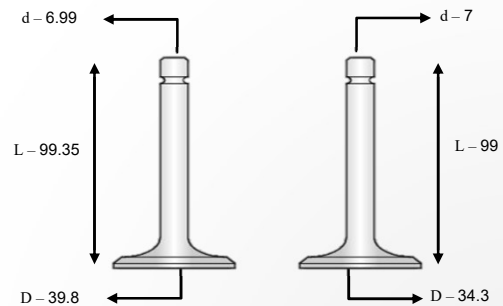
Model: BAJAJ KUBOTA 3 WHEELER/GC 1000 RE DIESEL ENGINE
 Part no Inlet: F40481
 Part no Exhaust: F40485
 Pieces per carton: 2



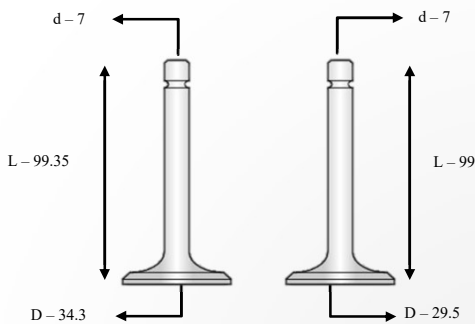
Model : BAJAJ MINIDOR TC
 Part no Inlet : F36142
 Part no Exhaust : F36147
 Pieces per carton : 2



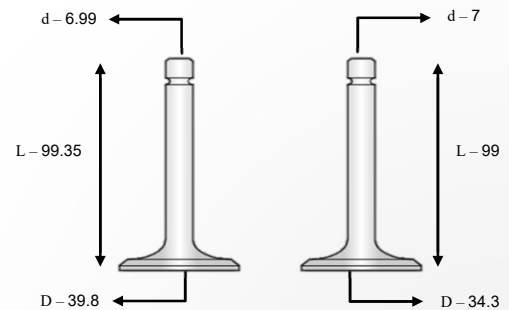
Model : Bajaj Legend/CNG Auto 3W
 Part no Inlet: F39513
 Part no Exhaust: F39518
 Pieces per carton: 2



Model : BAJAJ MINIDOR
 Part no Inlet : F36143
 Part no Exhaust : F36148
 Pieces per carton : 2

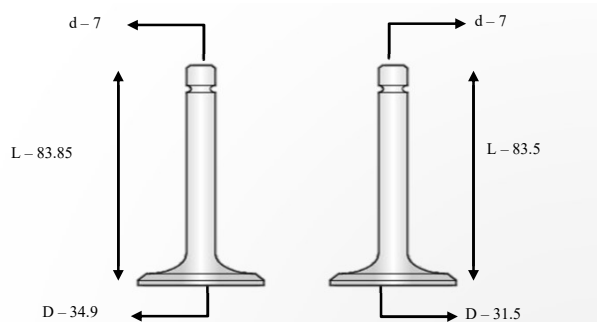


Model: BAJAJ TEMPO MINIDOR / MAHINDRA CHAMPION
 Part no Inlet:F33042
 Part no Exhaust: F33043
 Pieces per carton: 2

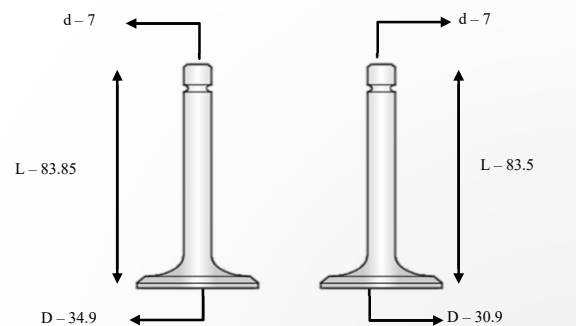


Model: BAJAJ MINIDOR
 Part no Inlet: F36140
 Part no Exhaust: F36145
 Pieces per carton: 2

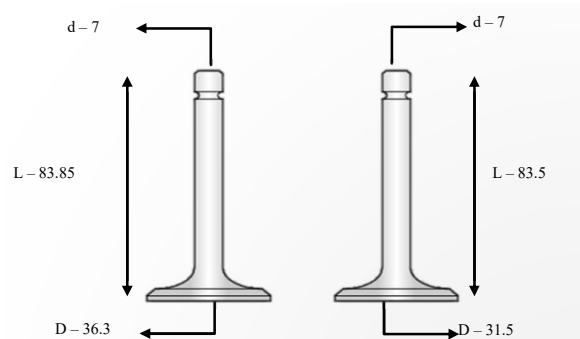
PIAGGIO



Model: APE - PIAGGIO - EURO III (GL 400)
 Part no Inlet: F38384
 Part no Exhaust: F38389
 Pieces per carton: 2

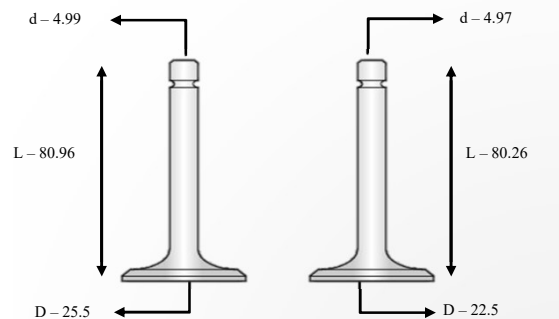


Model: APE - PIAGGIO - EURO II
 Part no Inlet: F38382
 Part no Exhaust: F37167
 Pieces per carton: 2



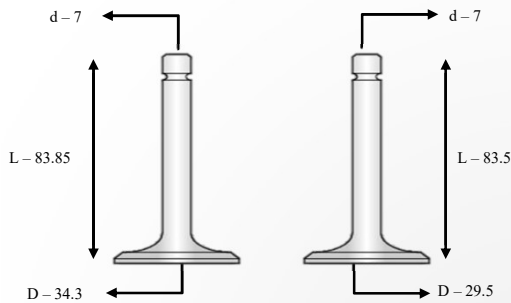
Model: APE - PIAGGIO
 Part no Inlet: F38383
 Part no Exhaust: F38388
 Pieces per carton: 2

TVS

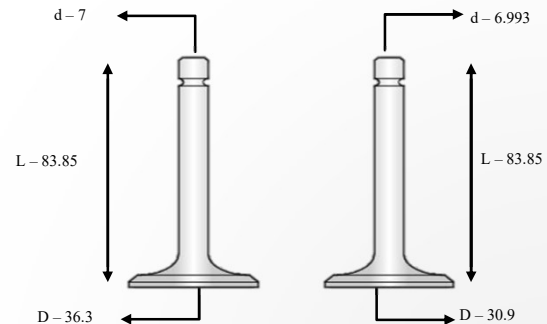


Model: TVS KING - 3 Wheeler Auto
 Part no Inlet: F40473A
 Part no Exhaust: F40478A
 Pieces per carton: 2

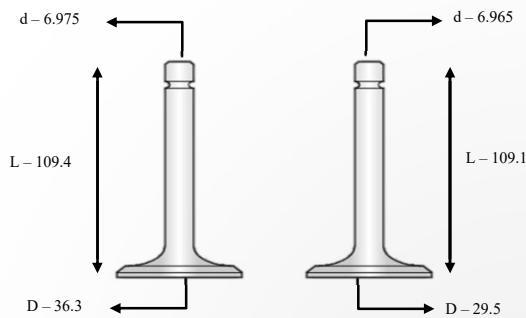
GREAVES



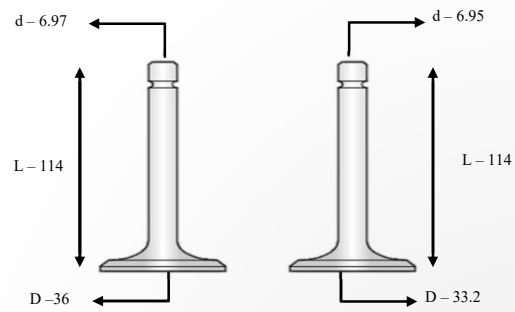
Model : GREAVES GARUDA AUTO
Part no Inlet : F33183
Part no Exhaust : F33184
Pieces per carton : 2



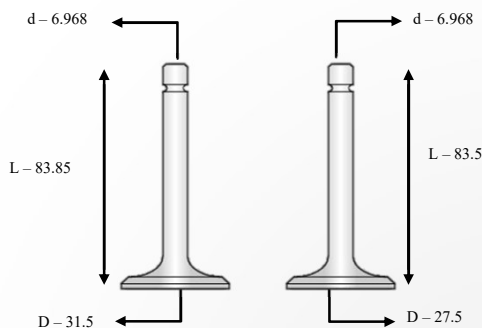
Model : GL 400 Gas Engine
Part no Inlet : F37161
Part no Exhaust : F37166
Pieces per carton : 2



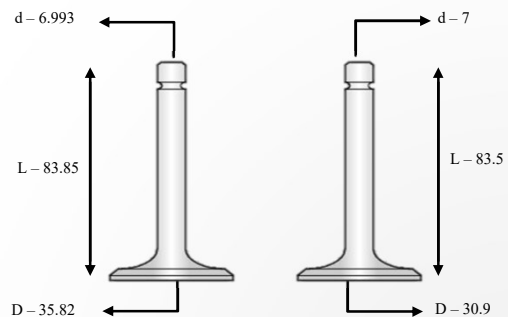
Model : Greaves Cheetah
Part no Inlet: F45851
Part no Exhaust: F45856
Pieces per carton: 4



Model : Greaves Cobra
Part no Inlet : F45850
Part no Exhaust : F45855
Pieces per carton : 4

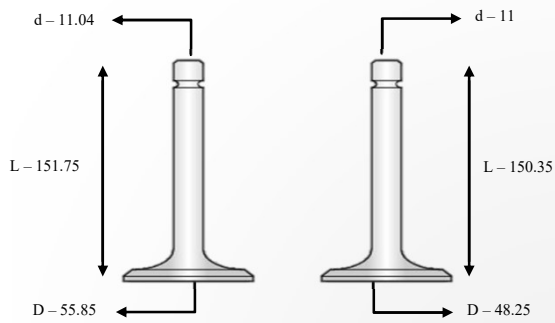


Model : Greaves 265 Model
Part no Inlet:F46580
Part no Exhaust: F46585
Pieces per carton: 2

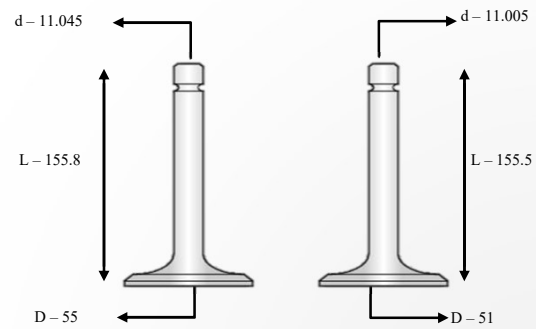


Model: Greaves GL 435
Part no Inlet: F46393
Part no Exhaust: F38389
Pieces per carton: 2

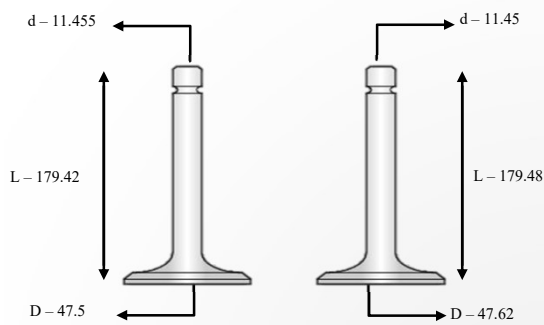
RANE ENGINE VALVE – INDUSTRIAL & AGRICULTURAL ENGINES



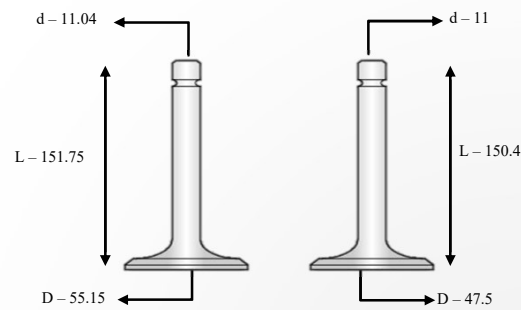
Model : LEYLAND 680
Part no Inlet : F33038
Part no Exhaust : F33039
Pieces per carton : 6



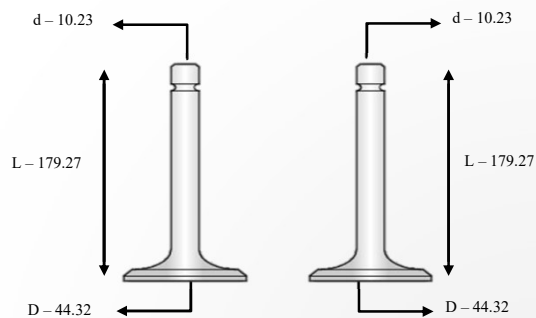
Model : LEYLAND 680 EURO - I
Part no Inlet : F41191
Part no Exhaust : F41195
Pieces per carton : 6



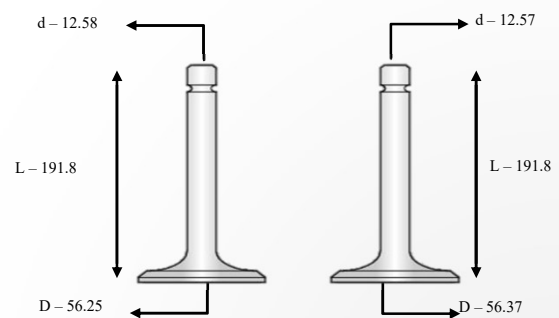
Model: Kirolskar Cummins NT
Part no Inlet :F1035
Part no Exhaust :F3434
Pieces per carton :4



Model : LEYLAND 690
Part no Inlet : F33106
Part no Exhaust : F33107
Pieces per carton : 6

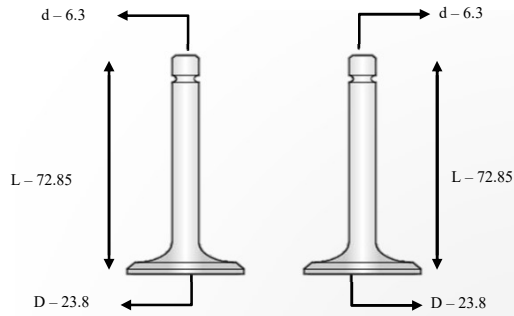


Model : Kirolskar Cummins NH
Part no Inlet :F2965
Part no Exhaust :F3433
Pieces per carton :4

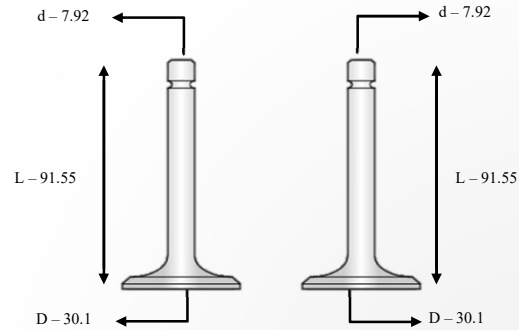


Model : Kirolskar Cummins KT 3500
Part no Inlet :F33086
Part no Exhaust :F333222
Pieces per carton :4

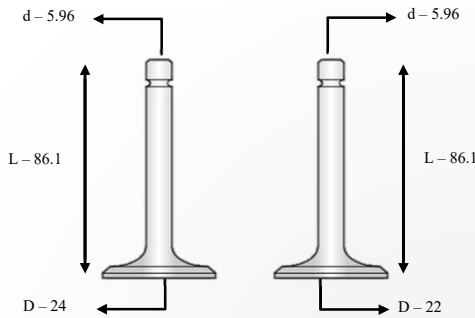
RANE ENGINE VALVE – INDUSTRIAL & AGRICULTURAL ENGINES



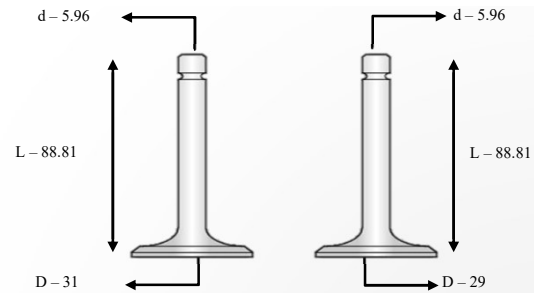
Model :VILLERS MK 12
Part no Inlet :F33171
Part no Exhaust :F33172
Pieces per carton :2



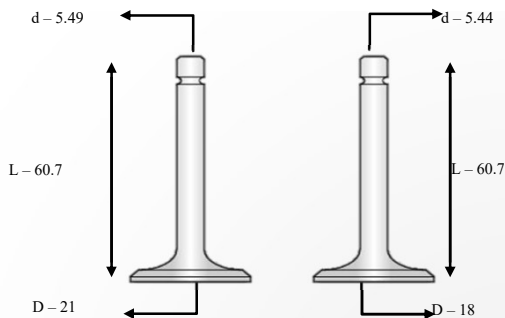
Model : VILLERS MK 25
Part no Inlet :F33173
Part no Exhaust :F33174
Pieces per carton :2



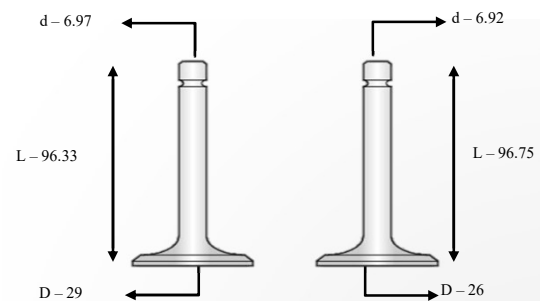
Model: VILLERS MK 10
Part no Inlet: F39892
Part no Exhaust : F39897
Pieces per carton :2



Model: VILLERS MK 20
Part no Inlet :F33752
Part no Exhaust :F33753
Pieces per carton :2

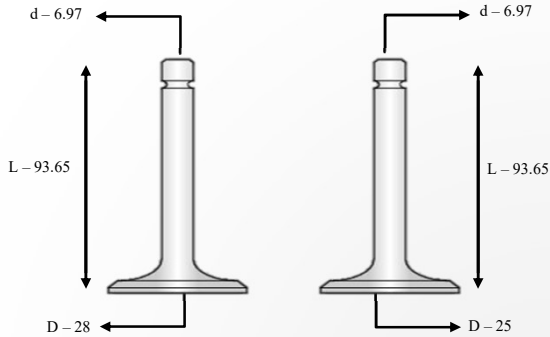


Model :SHRIRAM HONDA EM 650
Part no Inlet :F33658
Part no Exhaust : F33659
Pieces per carton :2

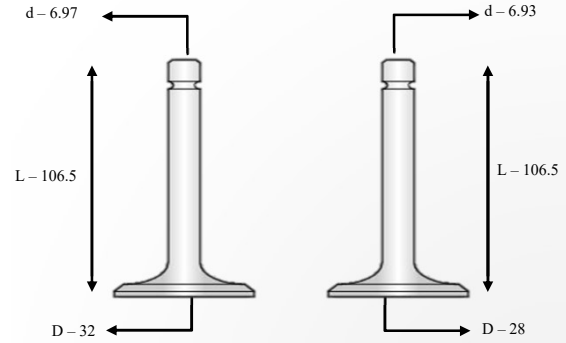


Model : SHRI HONDA EBK 2000
Part no Inlet : F33660
Part no Exhaust : F33661
Pieces per carton :2

RANE ENGINE VALVE – INDUSTRIAL & AGRICULTURAL ENGINES



Model: BIRLA YAMAHA 76 R
Part no Inlet: F33459
Part no Exhaust: F33460
Pieces per carton: 2



Model : BIRLA YAMAHA 76 T
Part no Inlet : F33461
Part no Exhaust : F33462
Pieces per carton : 2



GUIDE PRODUCTS

RANE ENGINE GUIDE



R I G H T C H O I C E R A N E

FUNCTIONS

- Engine guide are responsible for the proper function alignment of engine valve
- Reducing friction and wear: constant the movement of the valves creates friction causes wear so valve guide made of wear resistance like cast iron to minimize friction and protect the valve stem from the excessive wear.



SALIENT FEATURES:



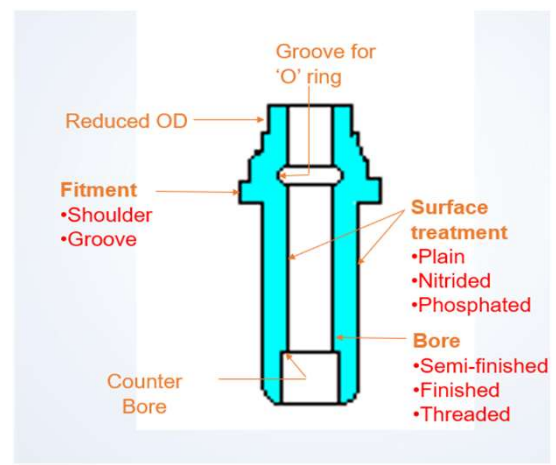
Better wear resistance



Tight tolerances (allowable variation in dimension and specification) to ensure smooth operation



Handle high temperatures without deforming (changes in shapes or form)



BENEFITS:

- Protects valves from heat, friction and wear components
- Ensures better Valve efficiency (make the valve work better in engine)
- Resistance to thermal expansion

VEHICLES APPLICATIONS:



RANE VALVE GUIDES – COMMERCIAL VEHICLES (MEDIUM & HEAVY)



MODEL	PART NO INLET	PART NO EXHAUST	PIECES PER CARTON
LEYLAND 411/370	A 108	A 108	12
TATA 1210	A 116	A 117	12
TATA 1210	A 135	A 136	12
TATA 1312	A 354	A 355	12
LEYLANDPTL	A 367	A 367	12
LEYLAND HINO	A 369	A 369	12

RANE VALVE GUIDES – PASSENGER CARS

MODEL	PART NO INLET	PART NO EXHAUST	PIECES PER CARTON
AMBASSADOR DIESEL	A 137	A 137	8
MARUTI 800	A 272	A 273	6
TATA Indica	A 572	A 573	8

RANE VALVE GUIDES – TRACTORS

MODEL	PART NO INLET	PART NO EXHAUST	PIECES PER CARTON
PERKINS P3	A 101	A 101	6
HMT 2511	A 140	A 141	4
PERKINS S3DI	A 147	A 147	6
HMT 5911	A 150	A 150	8
M & M AVL DI	A 321	A 321	8
SWARAJ	A 212	A 212	6
PERKINS P4	B 101	B 101	8
PERKINS P4 DI	B 147	B 147	8
M & M INTER	A 138	A 139	8

RANE VALVE GUIDES – LIGHT COMMERCIAL VEHICLES

MODEL	PART NO INLET	PART NO EXHAUST	PIECES PER CARTON
TATA 407	B 354	B 355	8
ACE	B 572	B 573	4

RANE VALVE GUIDES – UTILITY VEHICLES

MODEL	PART NO INLET	PART NO EXHAUST	PIECES PER CARTON
TATA SUMO	A 320	A 320	6

Rane

STEM SEAL PRODUCT

RANE ENGINE STEM SEAL



R I G H T C H O I C E R A N E

FUNCTIONS

- Stem seal are essential component in valves that prevent leakage around the valve system
- They are typically located at the top of the valve body where the stem pass through
- They protect the valve stem from corrosion and wear ensuring the valve's long term performance

Stem seal



SALIENT FEATURES:

Specially designed to prevent oil or grease leakage at maximum pressure

Can withstand high temperature

Metal clad seal



BENEFITS:

- Control the amount of oil entering the valve stem system.
- Making them critical components in maintaining engine system in compression level.
- Overall efficiency (overall performance of the engine) is improved by preventing leaks

VEHICLES APPLICATIONS:



STEAMSEAL RANGE



Part number	Vehicle model	Vehicle type	Pieces per set
SS101001	HMCL	CD 100	2
SS101002	Tata	Indica	8
SS101002A	Tata	Ace	4

Rane

PISTON PRODUCTS

RANE ENGINE PISTON



R I G H T C H O I C E R A N E

FUNCTIONS

- Piston converts the energy released during combustion process into mechanical work
- Piston help to dissipate heat generated during combustion by transferring into cylinder valve



SALIENT FEATURES:



Better wear resistance



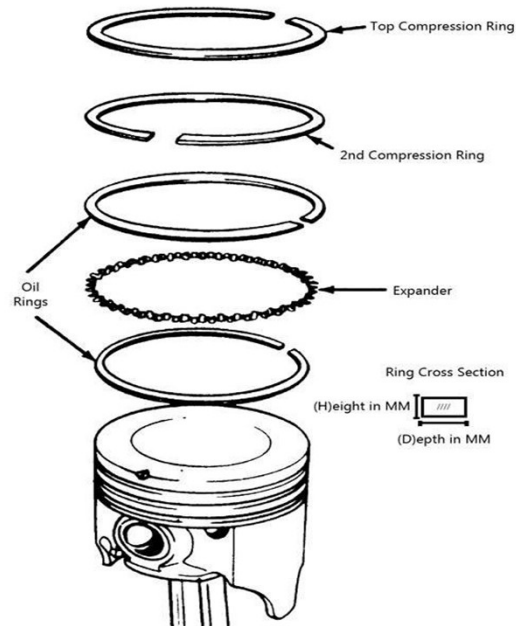
Value for Money product



Stronger than normal cast piston



Wide range of applications



BENEFITS:

- Durability and reliability (withstand high temperature & pressure for long life)
- Less vibration and noise
- Multi-fuel capability (Mixture of fuels)
- Low turbine operating temperature (Arrest the carbon particle)
- Tig welding process done for better lubrication within rings

VEHICLES APPLICATIONS:




Hero Motor Corp Ltd

CD100/ SS / Sleek / Dawn / Street / Joy / Splendor NXG / CD Deluxe




Part Number	Size
PKW300001	Std
PKW300001S1	0.25
PKW300001S2	0.50
PKW300001S3	0.75
PKW300001S4	1.00

Splendor / Passion / Pro / Smart / Street / Splendor + / Passion +



Part Number	Size
PKW300004	Std
PKW300004S1	0.25
PKW300004S2	0.50
PKW300004S3	0.75
PKW300004S4	1.00


Super Splendor



Part Number	Size
PKW3000011	Std
PKW3000011S1	0.25
PKW3000011S2	0.50
PKW3000011S3	0.75
PKW3000011S4	1.00


BAJAJ

CT100 / Platina 100cc




Part Number	Size
PKW300002	Std
PKW300002S1	0.25
PKW300002S2	0.50
PKW300002S3	0.75
PKW300002S4	1.00

KB 4S / Boxer




Part Number	Size
PKW300003	Std
PKW300003S1	0.25
PKW300003S2	0.50
PKW300003S3	0.75
PKW300003S4	1.00

Discover 100cc




Part Number	Size
PKW3000010	Std
PKW3000010S1	0.25
PKW3000010S2	0.50
PKW3000010S3	0.75
PKW3000010S4	1.00

Pulsar 150cc




Part Number	Size
PKW3000012	Std
PKW3000012S1	0.25
PKW3000012S2	0.50
PKW3000012S3	0.75
PKW3000012S4	1.00

Pulsar Digital Meter




Part Number	Size
PKW3000016	Std
PKW3000016S1	0.25
PKW3000016S2	0.50
PKW3000016S3	0.75
PKW3000016S4	1.00

Discover 125cc



Part Number	Size
PKW3000017	Std
PKW3000017S1	0.25
PKW3000017S2	0.50
PKW3000017S3	0.75
PKW3000017S4	1.00


Discover 125 DTSI Power (2 Valve) (54 Dia)



Part Number	Size
PKW3000032	Std
PKW3000032S1	0.25
PKW3000032S2	0.50
PKW3000032S3	0.75
PKW3000032S4	1.00


HONDA

Activa 100cc




Part Number	Size
PKW3000013	Std
PKW3000013S1	0.25
PKW3000013S2	0.50
PKW3000013S3	0.75
PKW3000013S4	1.00

Activa 110cc




Part Number	Size
PKW3000015	Std
PKW3000015S1	0.25
PKW3000015S2	0.50
PKW3000015S3	0.75
PKW3000015S4	1.00

Shine




Part Number	Size
PKW3000019	Std
PKW3000019S1	0.25
PKW3000019S2	0.50
PKW3000019S3	0.75
PKW3000019S4	1.00

Unicorn




Part Number	Size
PKW3000020	Std
PKW3000020S1	0.25
PKW3000020S2	0.50
PKW3000020S3	0.75
PKW3000020S4	1.00

Activa 110cc




Part Number	Size
PKW3000024	Std
PKW3000024S1	0.25
PKW3000024S2	0.50
PKW3000024S3	0.75
PKW3000024S4	1.00

Dream Yuga



Part Number	Size
PKW3000030	Std
PKW3000030S1	0.25
PKW3000030S2	0.50
PKW3000030S3	0.75
PKW3000030S4	1.00


Twister (50 Dia)



Part Number	Size
PKW3000034	Std
PKW3000034S1	0.25
PKW3000034S2	0.50
PKW3000034S3	0.75
PKW3000034S4	1.00


TVS

Star City / Centra




Part Number	Size
PKW300005	Std
PKW300005S1	0.25
PKW300005S2	0.50
PKW300005S3	0.75
PKW300005S4	1.00

Victor / GLX




Part Number	Size
PKW300006	Std
PKW300006S1	0.25
PKW300006S2	0.50
PKW300006S3	0.75
PKW300006S4	1.00

Excel Super 70cc



Part Number	Size
PKW300007	Std
PKW300007S1	0.25
PKW300007S2	0.50
PKW300007S3	0.75
PKW300007S4	1.00

Scooty Pep



Part Number	Size
PKW300008	Std
PKW300008S1	0.25
PKW300008S2	0.50
PKW300008S3	0.75
PKW300008S4	1.00

Scooty Pep+

Part Number	Size
PKW300009	Std
PKW300009S1	0.25
PKW300009S2	0.50
PKW300009S3	0.75
PKW300009S4	1.00

ACCESS

Part Number	Size
PKW3000022	Std
PKW3000022S1	0.25
PKW3000022S2	0.50
PKW3000022S3	0.75
PKW3000022S4	1.00

Star 110cc

Part Number	Size
PKW3000025	Std
PKW3000025S1	0.25
PKW3000025S2	0.50
PKW3000025S3	0.75
PKW3000025S4	1.00

XL Super 100cc

Part Number	Size
PKW3000026	Std
PKW3000026S1	0.25
PKW3000026S2	0.50
PKW3000026S3	0.75
PKW3000026S4	1.00

TVS Wego / Jupiter

Part Number	Size
PKW3000027	Std
PKW3000027S1	0.25
PKW3000027S2	0.50
PKW3000027S3	0.75
PKW3000027S4	1.00

TVS Ntroq / Victor (3 Valve)

Part Number	Size
PKW3000028	Std
PKW3000028S1	0.25
PKW3000028S2	0.50
PKW3000028S3	0.75
PKW3000028S4	1.00

YAMAHA

Crux


Part Number	Size
PKW3000018	Std
PKW3000018S1	0.25
PKW3000018S2	0.50
PKW3000018S3	0.75
PKW3000018S4	1.00

Ray /Ray Z

Part Number	Size
PKW3000029	Std
PKW3000029S1	0.25
PKW3000029S2	0.50
PKW3000029S3	0.75
PKW3000029S4	1.00

HERO


I Smart 110 cc (53 Dia)



Part Number	Size
PKW3000031	Std
PKW3000031S1	0.25
PKW3000031S2	0.50
PKW3000031S3	0.75
PKW3000031S4	1.00

SUZUKI

Access 125 cc New Model



Part Number	Size
PKW3000033	Std
PKW3000033S1	0.25
PKW3000033S2	0.50
PKW3000033S3	0.75
PKW3000033S4	1.00

Rane

TAPPETS PRODUCTS

RANE ENGINE TAPPETS



R I G H T C H O I C E R A N E



ASHOK LEYLAND APPLICATIONS

MODEL	PART NO	PIECES PER CARTON
Leyland (TF) 370/400	T 001	12
Leyland Hino	T 002	12

ESCORTS APPLICATIONS

MODEL	PART NO	PIECES PER CARTON
Escorts 345 (E 228) Escorts 325 (S31 2C) Chrome Escorts 335/27W Escorts 355 (S31 2D)	T 037	4
Escorts 37 W	T 037A	6

TATA APPLICATIONS

MODEL	PART NO	PIECES PER CARTON
TATA 407 / 609 / 709	T 007A	8
TATA 1312 /1612	T 007	12
TCL TAPPET	T 178	12



OTHER APPLICATIONS		
MODEL	PART NO	PIECES PER CARTON
HINDUSTAN TREKKER	T 057	8
John Deer Tractors	T 118	6
BAJAJ MATADOR F305	T 015	8
EICHER CANTER	T 034	8
KIROLSKAR - DEUTZ	T 013	6
NEW HOLLAND TRACTORS FORD 3600 (STD)	T 008	6



ENGINE & COOLING SYSTEM PRODUCTS

KAR VALVES



R I G H T C H O I C E R A N E



FUNCTIONS

- Essential components that control the flow of air and fuel mixture into the combustion chamber and allow the exhaust gases to exit.
- The camshaft is synchronized with the crankshaft, meaning it rotates at half the speed of the crankshaft. This ensures that the valves open and close at the correct times during the engine's combustion cycle.



SALIENT FEATURES:



Chrome Plating | Nitriding
(Superior surface)treatment
process for corrosion resistance.



Dedicated Manufacturing
facility for Engine Valves



Material usage is the same or
equivalent to OEM standards.



Precisely Machined
Tip & Seat Induction Hardening
Profile & Through Hardening

ALLIED PRODUCTS:



Valve Collets



Valve Guide



Seat Insert

VEHICLES APPLICATIONS:





**RANE KAR
VALVES**



TATA

S No	Part Number	Description	No of Valves	
			Inlet	Outlet
1	KV1113-114	INDICA	4	4
2	KV1121-122	INDICA DICOR 1.4	8	8
3	KV1127-128	SAFARI DICOR 2.2	8	8

MARUTI

S No	Part Number	Description	No of Valves	
			Inlet	Outlet
1	KV1137-138	MARUTI	3	3
2	KV1139-140	ALTO 800	6	6
3	KV11370-1380	MARUTI 800 - 25 O/S	3	3
4	KV1161-162	ESTEEM	4	4
5	KV1163-164	ZEN(PETROL)	4	4
6	KV1167-168	K12/K14 TYPE 1 5MM - 74L00	8	8
7	KV1141-142	SWIFT-DIESEL-NEWMODEL 1.5	8	8
8	KV1147-148	CELERIO-DIESEL	4	4
9	KV1149-150	CELERIO-PETROL - K12/K14 TYPE2 -3 CYL	6	6
10	KV1167-168-6V	CELERIO-5mmStem- K12/K14 TYPE1 - 3CYL	6	6
11	KV1189-190	MPFI VALVE / ALTO LXI (84420)	6	6
12	KV1189-190-8V	WAGON-R	8	8
13	KV1225-226	SWIFT(DIESEL)/CHEVROLET ENJOY	8	8
14	KV1231-232	K-SERIES / ESTILO - 5.5MM - 68K00	8	8
15	KV1231-232-6V	ALTO-SERIES / K10 (68K00)	6	6
16	KV1235-236	ZENMPFI/EECO	8	8
17	KV1237-238	SX4-PETROL	8	8
18	KV1297-298	ESTEEM MPFI/VERSA	8	8

HONDA

S No	Part Number	Description	No of Valves	
			Inlet	Outlet
2	KV1291-292	CITY / AMAZE / JAZZ - PETROL	8	8
3	KV1293-294	CITY / AMAZE / BR-V / WR-V / JAZZ - DIESEL	8	8

HYUNDAI

S No	Part Number	Description	No of Valves	
			Inlet	Outlet
2	KV1223-224	ACCENT(P)1.5/GETZ PETROL	8	4
3	KV1229-230	SANTRO ERLX-1/XING	8	4
4	KV1239-240	EON	6	3
5	KV1247-248	SANTRO ERLX2 /i10	8	4
6	KV1341-342	SANTRO	8	4
7	KV1265-266	I-10 KAPPA/I-20 KAPPA/XCENT PETROL	8	8
8	KV1467-468	VERNA/I-20 DSL	8	8
9	KV1467-468-6V	XCENT & GRAND I10 DSL	6	6

TOYOTA

S No	Part Number	Description	No of Valves	
			Inlet	Outlet
2	KV1261-262	COROLLA ALTIS / ETIOS DIESEL	4	4

GENERAL MOTORS

S No	Part Number	Description	No of Valves	
2	KV1257-258	CHEVROLET BEAT DIESEL	6	6

FORD

S No	Part Number	Description	No of Valves	
			Inlet	Outlet
1	KV1267-268	FIESTA/FOGO DSL	4	4

M&M

S No	Part Number	Description	No of Valves	
			Inlet	Outlet
1	KV1271-272	LOGAN/MICRA/SUNNY/DUSTER DSL/LEY STYLE/NISSAN EVALIA	4	4

VW

S No	Part Number	Description	No of Valves	
			Inlet	Outlet
1	KV1279-280-8V	VW VENTO/POLO TDI 1.5ltr & JETTA/LAURA NM TDI 1.5Ltr	8	8

SKODA

S No	Part Number	Description	No of Valves	
			Inlet	Outlet
1	KV1255-256	FABIA TDI / LAURA - DIESEL	3	3

RENAULT

S No	Part Number	Description	No of Valves	
			Inlet	Outlet
1	KV1277-278	KWID 800 /1000 CC	6	6

NISSAN

S No	Part Number	Description	No of Valves	
			Inlet	Outlet
1	KV1275-276	Nissan Micra & Redigo	6	6

VW

S No	Part Number	Description	No of Valves	
			Inlet	Outlet
1	KV1279-280-8V	VW VENTO/POLO TDI 1.5 ltr & JETTA/LAURA NM TDI 1.5ltr	8	8

M&M

S No	Part Number	Description	No of Valves	
			Inlet	Outlet
1	KV1199-200	665DP	4	4
2	KV1201-202	PEUGEOT XD3P	4	4
3	KV1299-300	SCORPIO	4	4
4	KV1245-246-6V	QUANTO	6	6
5	KV1245-246-8V	M-HAWK	8	8

TOYOTA

S No	Part Number	Description	No of Valves	
			Inlet	Outlet
1	KV1219-220	INNOVA	8	8
2	KV1287-288	QUALIS-EURO-I	4	4
3	KV1289-290	QUALIS-EURO-II	4	4

FORD

S No	Part Number	Description	No of Valves	
			Inlet	Outlet
1	KV1165-166	ECO SPORT/FORD ASPIRE	4	4

GENERAL MOTORS

S No	Part Number	Description	No of Valves	
			Inlet	Outlet
1	KV1317-318	TAVERA -CHEVORLET	4	4

TATA

S No	Part Number	Description	No of Valves	
			Inlet	Outlet
1	KV1429-430	SUMO	4	4

TATA

S No	Part Number	Description	No of Valves	
			Inlet	Outlet
1	KV1113-114-2V	ACE	2	2
2	KV1131-132	ACE DICOR	2	2
3	KV1227-228	ACE CNG	1	1
4	KV1471-472	IRIS	1	1
5	KV1473-474	IRIS MULTI GROOVE	1	1

M&M

S No	Part Number	Description	No of Valves	
			Inlet	Outlet
1	KV1203-204	MAHINDRA JEETO	1	1
2	KV1245-246	MAXIMO CRDI	4	4

ASHOK LEYLAND

S No	Part Number	Description	No of Valves	
			Inlet	Outlet
1	KV1377-378-4V	LEYLAND TURBO CHARGER	4	4
2	KV1383-384	LEYLAND IVECO	4	4
3	KV1391-392-4V	LEYLAND HINO	4	4
4	KV1483-484	DOST VALVE	3	3

TATA

S No	Part Number	Description	No of Valves	
			Inlet	Outlet
1	KV1305-306A	407	4	4
2	KV1315-316A	407 - 45 DEGREE	4	4
3	KV1343-344A	407 TURBO - 30 DEGREE	4	4
4	KV1345-346	Tata Ultra-In/Ex - 5L (4 cyl)	8	8

SWARAJ MAZDA

S No	Part Number	Description	No of Valves	
			Inlet	Outlet
1	KV1421-422	SWARAJ MAZDA	4	4

EICHER CANTER

S No	Part Number	Description	No of Valves	
			Inlet	Outlet
1	KV1431-432	MITSU(CANTER)	4	4
2	KV1571-572	Eicher Canter MG 8V	8	8
3	KV1571-572-12V	Eicher Canter MG 12V	12	12
4	KV1569-570	10.90 CANTER	4	4
5	KV1569-570-6V	JUMBO	6	6

FORCE MOTORS

S No	Part Number	Description	No of Valves	
			Inlet	Outlet
1	KV1415-416	OM 616	4	4
2	KV1447-458	TEMPO TRAVELLER	4	4

GREAVES

S No	Part Number	Description	No of Valves	
			Inlet	Outlet
1	KV1269-270	APE BS III	1	1
2	KV1759-760	APE BS II	1	1
3	KV1761-762	LOMBARDINI 9 HP75 SERIES B	1	1
4	KV1843-844	LOMBARDINI 75 SERIES 9HP	1	1
5	KV1847-848	LOMBARDINI 520 SERIES	1	1
6	KV1851-852	LOMBARDNI GL-400/APE BS1	1	1

BAJAJ

S No	Part Number	Description	No of Valves	
			Inlet	Outlet
1	KV1159-160	KUBOTA DIESEL	1	1
2	KV1181-182	COMPACT - BS 4	1	1
3	KV1183-184	COMPACT - BS 3	1	1
4	KV1187-188	COMPACT- BS 2	1	1
5	KV1849-850	MINIDOR	1	1

TATA

S No	Part Number	Description	No of Valves	
			Inlet	Outlet
1	KV1311M-312	MODIFIED	6	6
2	KV1315-316	1510 WITH CUT	6	6
3	KV1319-320	SHAKTIMAN		
4	KV1343-344	1612 TURBO - 30 degree	6	6
5	KV1305-306	1510	6	6
6	KV1791-792	CUMMINS CNG-278601999		
7	KV1819-820	CUMMINS B-SERIES	6	6
8	KV18190-8200	CUMMINS E 2 - 003 O/S	6	6
9	KV1819010-820010	TCL E-II Seat & Stem - 003 OS	6	6
10	KV181915-82015	CUMMINS E 2 - 015 O/S	6	6
11	KV18191550-8201550	TCL E-II Seat & Stem - 015 OS	6	6
12	KV181920-82020	CUMMINS E 2 - 020 O/S	6	6
13	KV1823-824	CUMMINS E 2 - 005 O/S	6	6
14	KV182310-82410	TCL E-II Seat & Stem - 005 OS	6	6
15	KV1825-826	CUMMINS E 2 - 010 O/S	6	6
16	KV182540-82640	TCL E-II Seat & Stem - 010 OS	6	6
17	KV1821-822	CUMMINS-STD.STEM	12	12
18	KV182110-82210	CUMMINS-10 O/S STEM	12	12
19	KV18213-8223	CUMMINS-3 O/S STEM	12	12
20	KV18215-8225	CUMMINS-5 O/S .STEM	12	12

ASHOK LEYLAND

S No	Part Number	Description	No of Valves	
			Inlet	Outlet
1	KV1281-282	LEYLAND-BS II	6	6
2	KV1359-360	EYLAND 680-ALL	6	6
3	KV1363-364	LEYLAND PTL	6	6
4	KV1363T-370	LEYLAND EURO-1	6	6
5	KV1367-368	LEY 401/402/411 SUPER	6	6
6	KV1371-372	LEYLAND 370 BIMETAL CF	6	6
7	KV1377-378	LEYLAND HINO TURBO CHARGED	6	6
8	KV1347-348	LEYLAND NEPTUNE Eng-In/Ex (4 cyl)	8	8
9	KV1379-380	LEYLAND 690	6	6
10	KV1391-392	LEYLAND HINO	6	6

BHARATH BENZ

S No	Part Number	Description	No of Valves	
			Inlet	Outlet
1	KV1349-350	Bharat Benz-In/Ex	12	6

MAN

S No	Part Number	Description	No of Valves	
			Inlet	Outlet
1	KV1413-414	Force Man truck	6	6

S No	Part Number	Description	No of Valves	
			Inlet	Outlet
1	KV1673-674	E3.273/312	3	3
2	KV1675-676	E325D	2	2
3	KV1679-680	E3.215/E3.179	3	3
4	KV1681-682	S312 F.TRACTOR	3	3
5	KV1609-612CF	345 (E2.228)	2	2
6	KV1611-612	27 W (E 335)	2	2
7	KV1611CF-612CF	27 W	2	2
8	KV1613-614	37 W	3	3
9	KV1621-622	312 D	2	2
10	KV1677-678	FARM TRACTOR FT45	3	3
11	KV167710-67810	F.TRACT FT 45	3	3
12	KV167715-67815	FAR FT45/60-15	3	3
13	KV16773-6783	F.TRACTOR FT 45/6	3	3
14	KV16775-6785	F.T 45/60 - 5 O/S	3	3

HMT

S No	Part Number	Description	No of Valves	
			Inlet	Outlet
1	KV1751-752	ZETOR 2011	2	2
2	KV1753-754	ZETOR 5911	4	4
3	KV1755-756	ZETOR AVL DI	2	2
4	KV1997-998	ZETOR 7511	4	4

EICHER

S No	Part Number	Description	No of Valves	
			Inlet	Outlet
1	KV1603-604	DIESEL (EDL)	1	1
2	KV1605-606	SMALL GROOVE	1	1
3	KV1607-608	NC 364	2	2
4	KV1615-616	MASKED/SHROUD	1	1
5	KV1617-618	M3	1	1
6	KV1623-624	MODIFIED SHROUD	1	1

FORD

S No	Part Number	Description	No of Valves	
			Inlet	Outlet
1	KV1693-694	3600STD	3	3
2	KV16930-6940	3600 -40 O/S	3	3
3	KV1695-696	3600 -3 O/S	3	3
4	KV16950-6960	3600 -5 O/S	3	3
5	KV1697-698	3600 -15 O/S	3	3
6	KV16970-6980	3600 -10 O/S	3	3
7	KV1699-700	3600 -30 O/S	3	3
8	KV16990-7000	3600 -20 O/S	3	3
9	KV17001-7002	3600 -25 O/S	3	3
10	KV17003-7004	3600 -50 O/S	3	3

HINDUSTAN

S No	Part Number	Description	No of Valves	
			Inlet	Outlet
1	KV1641-642	G-614	4	4
2	KV1691-692	SUPER 50HP	4	4

JOHN DEERE

S No	Part Number	Description	No of Valves	
			Inlet	Outlet
1	KV1645-646	JOHN DEERE	3	3
2	KV1645-646-3	3 O/S	3	3
3	KV1645-646-5	5 O/S	3	3

MAHINDRA

S No	Part Number	Description	No of Valves	
			Inlet	Outlet
1	KV1563-564	ARJUN TRACTORS	4	4
2	KV1701-702	AVL/DI	4	4
3	KV1701-702A	AVL/DI		
4	KV1703-704	INTERNATIONAL B275	4	4
5	KV17030-7040	INTERNATIONAL B275 O/S	4	4
6	KV1727-728	MAH AVL DI MULTIGROOVE	4	4
7	KV1727-728A	MAH AVL DI MULTIGROOVE		

RIGHT CHOICE RANE

SONALIKA

S No	Part Number	Description	No of Valves	
			Inlet	Outlet
1	KV1647-648	Sonalika DI - 105 dia	4	4

MASSEY FERGUSON-MF

S No	Part Number	Description	No of Valves	
			Inlet	Outlet
1	KV1935-936	S3 - WHITE 45 DEGREE	3	3
2	KV19350-9360	S3 - WHITE 45 DEGREE O/S	3	3
3	KV1937-938	S3 BLACK 35 DEGREE	3	3
4	KV1931-932	PERKINS P3	3	3
5	KV19310-93210	PERKINS O/S	3	3
6	KV1403-404	PERKINS P6/354	6	6
7	KV1987-988	SIMPSON(91SG3003)		
8	KV1933-934	PERKINS P3	4	4

SWARAJ

S No	Part Number	Description	No of Valves	
			Inlet	Outlet
1	KV1711-712	KOEL/TMA	3	3
2	KV1479-480	939 XM	1	1
3	KV1713-714	Swaraj 735 XM	1	1
4	KV1803-804	755FE/KIR.RB01	1	1

RIGHT CHOICE RANE

SHAKTHIMAN

S No	Part Number	Description	No of Valves	
			Inlet	Outlet
1	KV1585-586	SHAKTHI-3630 TRACTOR	4	4

TMTL

S No	Part Number	Description	No of Valves	
			Inlet	Outlet
1	KV1661-662-1V	TMTL	1	1
2	KV1663-664	93131993	1	1

VST

S No	Part Number	Description	No of Valves	
			Inlet	Outlet
1	KV1905-906	TILLERS (AIR CLD)	1	1
2	KV1907-908	TILLERS (WATER CLD)	1	1
3	KV1909-910	TILLERS(MITS TRCT)	3	3
4	KV1985-986	TILLER	1	1

OTHERS

S No	Part Number	Description	No of Valves	
			Inlet	Outlet
1	KV1481-482	KIRLOSKAR 4R 1040/BSIII	4	4
2	KV1709-710	KIRLOSKAR KHD TRACTOR	3	3
3	KV1817-818	KOEL-JCB EXCAVATOR	4	4
4	KV1835-836	KIRLOSKAR RBV/SARTAJ	1	1

JCB

S No	Part Number	Description	No of Valves	
			Inlet	Outlet
1	KV1175-176	JCB DIESEL MAX - STD	1	1
2	KV1175-176-3	JCB DIESEL MAX - 3 O/S	1	1
3	KV1175-176-5	JCB DIESEL MAX - 5 O/S	1	1
4	KV1175-176-10	JCB DIESEL MAX - 10 O/S	1	1

CUMMINS

S No	Part Number	Description	No of Valves	
			Inlet	Outlet
2	KV1800	3088389		1
3	KV1249	3088393-KT SERIES	1	
4	KV1250	3088391-KT SERIES		1
5	KV1251-2V	3924492-C SERIES	2	
6	KV1252-2V	3921444-C SERIES		2
7	KV1808	GAS		1
8	KV1809-2V	NT	2	
9	KV1810-2V	GAS ENGINE		2
10	KV1812	CUMMINS-EX.		1
11	KV1813-2V	20/3084045 N-14	2	
12	KV1814-2V	2879472		2
13	KV1829-2V	NH	2	
14	KV1830-2V	NH		2
15	KV1832-2V	NT		2
16	KV1839	K	1	
17	KV1840	K		1
18	KV1882-2V	VALVE NT		2

CATERPILLAR

S No	Part Number	Description	No of Valves	
			Inlet	Outlet
1	KV1273-274	3508 VALVES		
2	KV1939-2V	CAT - 3406 - 1152368 FP TURBO	2	
3	KV1940-2V	CAT - 3406 - 1152367 FP TURBO		2
4	KV1941	3306 TURBO	1	
5	KV1942	3306		1
6	KV1961	VALVE	1	
7	KV1963-2V	CAT - 3412 - 1220322 FP	2	
8	KV1964-2V	CAT - 3412 - 1220321 FP		2
9	KV1967-2V	CAT - 3306 - FP-1007860	2	
10	KV1968-2V	CAT - 3306 FP-1487455		2

KOMATSU

S No	Part Number	Description	No of Valves	
			Inlet	Outlet
1	KV1861	11Z1110045 INLET VALVE / 1	1	
2	KV1862	10Z1180073 - BEM		1
3	KV1863-2V	30Z1180399/4	2	
4	KV1864-2V	30Z1180269/5		2
5	KV1865	41Z4180357	1	
6	KV1866	41Z4180495		1
7	KV1867	51Z1180283	1	
8	KV1868	51Z1180364		1
9	KV1979	52Z111011	1	
10	KV1980	52Z111028		1
11	KV1559	2120932	1	
12	KV1560	2120933		1
13	KV1962	3802085 CUMMINS VALVE		1



RANE VALVE COLLETS



TATA

Sl.No	Part No.	Description	Order Qty	Inside pack
1	VC016001	Tata 1312	1	24 nos
2	VC016002	Tata Cummins E-2	1	24 nos
3	VC016003	Tata Cummins E-3	1	48 nos
4	VC016003	TATA Cummins NH - 500 Nos	1	500 nos
5	VC016009	TATA Cummins NT - 500 nos	1	500 nos
6	VC016010	TATA Cummins KT - 500 nos	1	500 nos
7	VC400007	Cummins-N14 - 500 nos	1	500 nos
8	VC400008	Cummins-L10 - 500 nos	1	500 nos
9	VC400009	Cummins - 6CT - 500 nos	1	500 nos

ASHOK LEYLAND

Sl.No	Part No.	Description	Order Qty	Inside pack
1	VC026100	Leyland Hino	1	24 nos
2	VC026101	Leyland 400 series	1	24 nos



RANE VALVE GUIDES



HCV



S No	Part No.	Description	Type	No. of Cylinders	Set Of Pcs
1	KVG1819-820	TATA Cummins E-2	IN/EX	6	12
2	KVG1821-822	TATA Cummins E-3	IN/EX	6	24
3	KVG1355-356	Leyland 370 without oilseal type	IN/EX	6	12
4	KVG1391-392	Leyland Hino	IN/EX	6	12
5	KVG1315-316	TATA 697- with Seal	IN/EX	6	12
6	KVG1305-306	TATA 697 - Without Seal	IN/EX	6	12
7	KVG1281-282	Ashok Leyland BS II	IN/EX	6	12
8	KVG1363-364	Ashok Leyland PTL	IN/EX	6	12
9	KVG1311M-312M	TATA Modified	IN/EX	6	12

LCV



S No	Part No.	Description	Type	No. of Cylinders	Set Of Pcs
1	KVG1315A-316A	TATA 407 - With seal	IN/EX	4	8
2	KVG1305A-306A	TATA 407 - Without Seal	IN/EX	4	8
3	KVG1383-384	Leyland Cargo	IN/EX	4	8
4	KVG1483-484	Leyland Dost	IN/EX	3	6
5	KVG1447-458	Matador F-307 DI/Trax OM 616/307 DI/OX Balwan	IN/EX	4	8
6	KVG1431-432	Eicher Canter	IN/EX	4	8
7	KVG1421-422	Swaraj Mazda	IN/EX	4	8
8	KVG1447-448	Tempo Traveller OM 616 DI/Trax	IN/EX	4	8

PV



S No	Part No.	Description	Type	No. of Cylinders	Set Of Pcs
1	KVG1113-114	TATA Indica	IN/EX	4	8
2	KVG1341-342	Hyundai Santro	IN/EX	4	12
3	KVG1223-224	Hyundai Accent Petrol	IN/EX	4	12
4	KVG1189A-190A	Maruti Wagon R	IN/EX	4	16
5	KVG1189-190	Maruti MPFI/Alto	IN/EX	3	12
6	KVG1161-162	Maruti Esteem Petrol	IN/EX	4	8
7	KVG1297-298	Maruti Esteem MPFI	IN/EX	4	16
8	KVG1221-222	Hyundai Accent CRDI	IN/EX	3	12
9	KVG1225-226	Maruti Swift Diesel	IN/EX	4	16
10	KVG1163-164	Maruti Zen Petrol	IN/EX	4	8
11	KVG1137-138	Maruti 800,Omni	IN/EX	3	6
12	KVG1271-272	Mahindra Logan	IN/EX	4	8

TRACTOR



S No	Part No.	Description	Type	No. of Cylinders	Set Of Pcs
1	KVG1673-674	Escorts - 340	IN/EX	3	6
2	KVG1621-622	Escorts 355 DI	IN/EX	2	4
3	KVG1611-612	Escorts 27W	IN/EX	2	4
4	KVG1701-702	Mahindra AVL Tractor/INTL D430/DI 455/DI 575/AVL DI	IN/EX	4	8
5	KVG1727-728	Mahindra INTL D-430	IN/EX	4	8
6	KVG1679-680	Escorts-430,434,439,440	IN/EX	3	6
7	KVG1613-614	Escorts 37W/Swaraj 735 Old Model	IN/EX	3	6
8	KVG1681-682	Farmtrac AVL-45/60/70	IN/EX	3	6
9	KVG1693-694	Ford 3600 Standard	IN/EX	3	6
10	KVG1931-932	Perkins - P3	IN/EX	3	6
11	KVG1935-936	MF-135-S3	IN/EX	3	6
12	KVG1803-804	Swaraj 744FE / RBV	IN/EX	3	6

TRACTOR



S No	Part No.	Description	Type	No. of Cylinders	Set Of Pcs
13	KVG1803A-804A	Swaraj 855 DI (Seal Type)	IN/EX	3	6
14	KVG1711-712	Swaraj 744 (W/O Seal Type)	IN/EX	3	6
15	KVG1711A-712A	Swaraj 744 / TMA (Seal Type)	IN/EX	3	6
16	KVG1751-752	Zetor 2011	IN/EX	2	4
17	KVG1753-754	Zetor 5911	IN/EX	4	8
18	KVG1755-756	Zetor AVL-DI	IN/EX	2	4
19	KVG1755A-756A	Zetor 3522	IN/EX	3	6

SCV



S No	Part No.	Description	Type	No. of Cylinders	Set Of Pcs
1	KVG1113A-114A	TATA ACE	IN/EX	2	4
2	KVG1245-246	Mahindra Maximo	IN/EX	2	8
3	KVG1471-472	TATA IRIS	IN/EX	1	2

UTILITY VEHICLE



S No	Part No.	Description	Type	No. of Cylinders	Set Of Pcs
1	KVG1245A-246A	Mahindr Scorpio Hawk	IN/EX	4	16
2	KVG1299-300	Mahindra Scorpio/M&M Arjun	IN/EX	4	8
3	KVG1317-318	Chevrolet Tavera	IN/EX	4	8
4	KVG1429-430	TATA Mobile-207/Sumo/Sierra/Estate	IN/EX	4	8
5	KVG1219-220	Innova Diesel	IN/EX	4	16
6	KVG1201-202	Peugeot XD 3P/Bolero/M&M Jeep	IN/EX	4	8
7	KVG1287-288	Toyota Qualis	IN/EX	4	8
8	KVG1199-200	Bolero, Jeep 665DP	IN/EX	4	8

AGRICULTURAL/INDUSTRIAL ENGINE



S No	Part No.	Description	Type	No. of Cylinders	Set Of Pcs
1	KVG1809-832	Cummins NT	IN/EX	6	12
2	KVG1817-818	JCB Poklain-1040	IN/EX	4	8
3	KVG1829-830	Cummins NH	IN/EX	6	12
4	KVG1839-840	Cummins K	IN/EX	6	12



RANE VALVE SEAT INSERT



TATA

Sl.No	Part No.	Make	Description	Size	No
1	KVS1819-820	TATA	Cummins - 6BT	STD	(6+6)
2	KVS1305-306	TATA	697 NA/TC	STD	(6+6)
3	KVS1343-344	TATA	697 BS-II	STD	(6+6)
4	KVS1305A-306A	TATA	407	STD	(4+4)
5	KVS1343A-344A	TATA	407 BS-II	STD	(4+4)
6	KVS1821-822	TATA	EURO-III	STD	(12+12)

Ashok Leyland

Sl.No	Part No.	Make	Description	Size	No
1	KVS1391-392	Ashok leyland	Hino	STD	(6+6)
2	KVS1377-378	Ashok leyland	Hino Turbo	STD	(6+6)
3	KVS1367-368	Ashok leyland	401/402/411 SUPER	STD	(6+6)
4	KVS1281-282	Ashok leyland	BS-II	STD	(6+6)
5	KVS1363-364	Ashok leyland	PTL	STD	(6+6)

EICHER

Sl.No	Part No.	Make	Description	Size	No
1	KVS1569-570	Eicher	Canter 10.90	STD	(4+4)



RANE BUSHES AND THRUST WASHER



CON-ROD BUSH - SF						
Sl.No	Part No	Make	Description	Size	Material	piece / set
1	SE026100S	Ashok Leyland	411/412	STD	C/L	6
2	SE026101S	Ashok Leyland	HINO Turbo	STD	C/L	6
3	SE026102S	Ashok Leyland	HINO	STD	C/L	6
4	SE016003S	TATA	Cummins 6BT	STD	C/L	6
5	SE016002S	TATA	407	STD	C/L	4
6	SE016002A	TATA	407	RS - I	C/L	4
7	SE016002B	TATA	407	RS - II	C/L	4
8	SE011001S	TATA	Indica	STD	C/L	4
9	SE015001S	TATA	Ace	STD	C/L	2

CAMBUSH – P.F						
Sl.No	Part No	Make	Description	Size	Material	piece / set
1	CB016001	TATA	CUMMINS	STD	C/L	1
2	CB026101	Ashok Leyland	HINO	STD	C/L	4
3	CB026100	Ashok Leyland	400/412	STD	Brass	4

CON-ROD BUSH – SF						
Sl.No	Part No	Make	Description	Size	Material	piece / set
1	TW026101	Ashok Leyland	HINO	STD	C/L	4
2	TW026101A	Ashok Leyland	HINO	RS - I	C/L	4
3	TW026101B	Ashok Leyland	HINO	RS - II	C/L	4
4	TW026101C	Ashok Leyland	HINO	RS - III	C/L	4
5	TW026100	Ashok Leyland	370	STD	C/L	4
6	TW026100A	Ashok Leyland	370	RS - I	C/L	4
7	TW026100B	Ashok Leyland	370	RS - II	C/L	4
8	TW016001	TATA	1312/1516/608	STD	C/L	4
9	TW016002	TATA	1210	STD	C/L	4
10	TW016002C	TATA	1210	RS-III	C/L	4
11	TW011001	TATA	Indica	STD	C/L	4
12	TW011001A	TATA	Indica	OS-(0.005mm)	C/L	4
13	TW011001B	TATA	Indica	OS-(0.010mm)	C/L	4
14	TW011001X	TATA	Indica	3-O/S Semifinished	-	-



RANE OIL PUMP ASSEMBLY

TRACTOR



Model : S-3 with Flange
Part No. : OP117101



Model : M&M - 475/575/595
Part No. : OP107001



Model : John deere
Part No. : OP157500



Model : Escorts New model
Part No. : OP137300



Model : Escorts Old Model
Part No. : OP137301

HCV



Model : Tata TCL
Part No. : OP016002

SCV



Model : Mahindra Bolero-M2DI
Part No. : OP103001



Model : Kirloskar - RA3
Part No. : OP030003



Model : Kirloskar - RB 1040
Part No. : OP030005



Model : Kirloskar - RB 1060
Part No. : OP030006



ENGINE & COOLING SYSTEM PRODUCTS

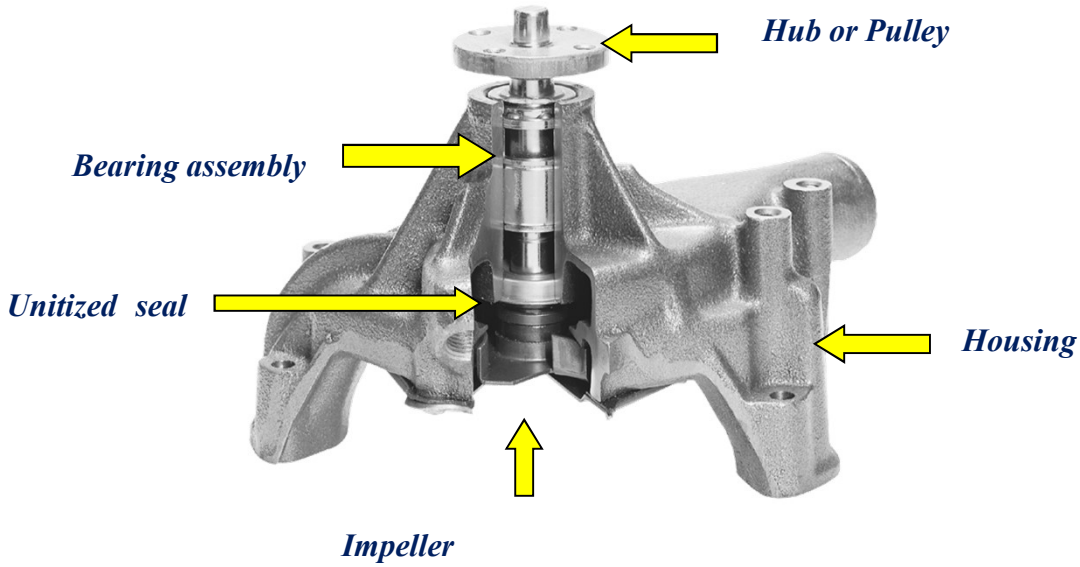
RANE WATER PUMP



R I G H T C H O I C E R A N E

FUNCTIONS

- To transfer the coolant from the radiator to the engine and back, maintaining a controlled temperature throughout the system.
- The heat that the coolant picked up from the engine is transferred to the air at the radiator.



SALIENT FEATURES:



Integral type bearing to withstands more loads compared

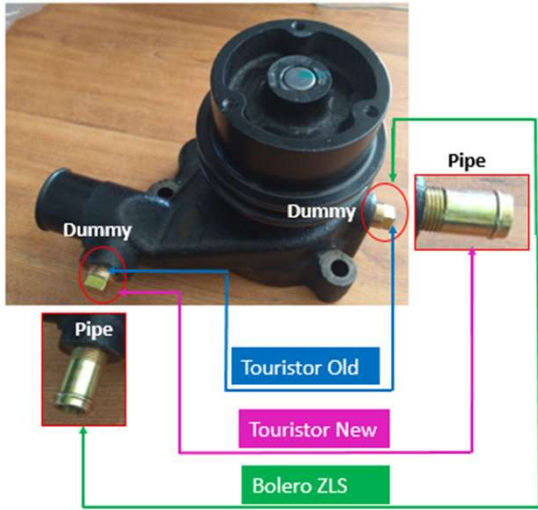


Ball & Roller Bearing to carry high load



Unitized Sintered carbon Seal used to withstand - 35 C to 150 C & engine speeds up to 9000RPM

Multipurpose Water Pump



RAP Part No : WP 10 4005
M&M Bolero / Z New / Old
In Autolek there are two part no's
• WPA767TR
• WPA767
• WPA770

- Minimize Stock at Retail Level
- Multi Purpose Compatibility
- One Part Number and One Price for three models

Bolero M2DI



Scorpio M2DI



RAP Part No : WP 10 4002
M&M Bolero / Scorpio M2DI
Autolek has two different part no
• WPA 779
• WPA931S

Dummy is supplied along with water pump

BENEFITS:



Wide range of applications (PC, UV, SCV, LCV, HCV, FT)



Long Life



Best Price in the Market

VEHICLES APPLICATIONS:



Passenger Vehicle application



Model : TATA Indica / AC
Part No : WP011001



Model :TATA Safari 2.2 & Sumo Old
Part No : WP011003



Model : TATA Indica Vista/Manza QuadraJet7Pk
Part No : WP011004



Model :TATA Iris / M&M Champion BS2/ Vaibhav
Mini Tractor
Part No : WP013001



Model :Mahindra M-Hawk
Part No : WP104010



Model : Mahindra M-Hawk S Model
Part No : WP104011

Passenger Vehicle application



Model :Mahindra XUV500
Part No : WP104012



Model : Mahindra KUV - 100 Diesel
Part No : WP104014



Model : Maruti-Wagon R / Alto
Part No : WP201100



Model : Maruti-800/Van/Gypsy/Super Carry
Part No : WP201101



Model :Maruti-Swift (P) /Zen/Esteem/Eco Van /
CNG
Part No : WP201102



Model : Maruti -Swift (D)/Desire/Ritz/Ciaz/Baleno
Part No : WP201103

Passenger Vehicle application



Model : WP Assy Maruti Swift K-Series / Alto K10/ A Star
Part No : WP201104



Model : Maruti Celerio/SuperCarry (D)
Part No : WP201105



Model : Maruti S-Cross/ Ciaz/ Ertiga 1st&2nd Gen 1.3L - Diesel
Part No : WP201106



Model : Hyundai Santro Xing ERLX
Part No : WP211200



Model : Hyundai i10 / i20 Kappa
Part No : WP211201



Model : Hyundai Verna (D)
Part No : WP211203

Passenger Vehicle application



Model : Hyundai Verna Fluidic (P)
Part No : WP211204



Model : Hyundai Grand i10, Xcent, Aura Kappa Eng
| i10&20 1st Gen G4LA Eng - Petrol
Part No : WP211205



Model : Nissan Micra - Diesel
Part No : WP221300



Model : Nissan Micra/Sunny/Pulse/Scala - Petrol
Part No : WP221301



Model : Datsun Go
Part No : WP221302



Model : Ford Eco Sport/Figo 2nd Gen/Fiesta 2nd
Gen Petrol
Part No : WP274400

Passenger Vehicle application



Model : Honda City Type III and IV
Part No : WP281400



Model : Honda I-Vtec
Part No : WP281401



Model : Honda Amaze/Brio/Mobilo (D)
Part No : WP281402



Model : Toyota Etios Liva - Petrol
Part No : WP301500



Model : Toyota Etios Liva - Diesel
Part No : WP301501



Model : Chevrolet Beat - Petrol
Part No : WP311600

Passenger Vehicle application



Model : VW Polo/Vento/Skoda (D)
Part No : WP331700



Model : VW Polo 1st Gen / Vento 1st&2nd Gen / Skoda Rapid - 1.6L Petrol
Part No : WP331702



Model : Renault Kwid 0.8L / 54HP - Petrol
Part No : WP341800



Model : Renault Duster 85BHP/Logan (D)
Part No : WP344300



Model : Renault Duster 110 BHP
Part No : WP344301

Multi Utility Vehicle application



Model :M & M Jeep A belt
Part No : WP104008



Model :Mahindra Bolero ZLS / Max pickup Turbo
Tourister
Part No : WP104005



Model :Bolero M2DI
Part No : WP104002



Model :WP-TUV 300/BOLERO 3CY 2n Gen , Neo 1.5
Part No : WP104009



Model :MAHINDRA MARAZZO
Part No : WP104013



Model :Bolero Turbo - BS6
Part No : WP104015

Multi Utility Vehicle application



Model : Toyota Innova
Part No : WP304100



Model : Toyota Innova Crysta - Diesel
Part No : WP304101

Small Commercial Vehicle application



Model : AL DOST
Part No : WP023100



Model : ACE DICOR WO COVER
Part No : WP013002



Model : Mahindra Maximo
Part No : WP103200



Model : WP Assy M&M Maximo BSII /Supro
Part No : WP103201



Model : JEETO BS3
Part No : WP103203



Model : JEETO WITH ELBOW (BS-IV)
Part No : WP103204

Light Commercial Vehicle application



Model :METADOR F307
Part No : WP327700



Model : Force Traveller /BIG OX Tractor
Part No : WP325300



Model : TATA ULTRA / STAR BUS
Part No : WP015001



Model :TATA 407 T / 207 DI/SUMO SPACIO 608
TURBO MODEL
Part No : WP015002

Medium and Heavy commercial Vehicle application



Model :TATA Cummins - Steel Impeller
Part No :WP016001



Model :Tata Cummins Marcopolo/4923 / BS-III TC
N/M /2528 PRIMA
Part No :WP016002



Model :TATA 1312 / 1510 / 1612 O/M (697 ENG.)
Part No :WP016003



Model :TATA Euro II - 1613 / 1614 / 1109 / 2515
Part No : WP016004



Model : TATA Euro III 1613 / 1614 / 1109 / 2515
TURBO / 697
Part No : WP016005



Model : Tata Cummins 6BT BS4
Part No : WP016006

Medium and Heavy commercial Vehicle application



Model :TATA 1109 BS4 / 709 TURBO
Part No : WP016007



Model :Ashok Leyland -Hino- 75 dia E-II
Part No : WP026100



Model :Ashok Leyland- Hino- 85 dia E- II
Part No : WP026101



Model :Ashok Leyland -Twin outlet w/o Baseplate
Part No : WP026102



Model :Ashok leyland- Single outlet w/o Baseplate
Part No : WP026103



Model : AL 680/690 with Brass Impeller
Part No : WP026104

Medium and Heavy commercial Vehicle application



Model : Ashok Leyland- Hino- 85 dia E- III
Part No : WP026106



Model : Ashok Leyland- Hino- 100 dia E- III
Part No : WP026107



Model : Bharat Benz Tipper truck (Gun Type)
Part No : WP056400



Model : Eicher Jumbo 20.16 - CRDI
Part No : WP196300

Tractor application



Model :M&M-Double pulley - High Discharge-475/575DI
Part No : WP107001



Model :M&M-Double Pulley- Low Discharge-B275
Part No : WP107002



Model :M&M -Yuvraj 215
Part No : WP107003



Model :M&M 275 Short mouth housing
Part No : WP107004



Model : M & M ARJUN
Part No : WP107005

Tractor application



Model : M&M Yuvraj - Old Model
Part No : WP107006



Model : ARJUN HIGH DISCHARGE
Part No : WP107007



Model : Mahindra Yuvo / Dhruv Tractor
Part No : WP107008



Model : Tafe 241
Part No : WP117102



Model : MF - P3
Part No : WP117100

Tractor application



Model :MF - 245/495-S3 - With Bolt
Part No : WP117101



Model : MF - 245/495-S3 - Without Bolt
Part No : WP117101A



Model : MF S4 Engine / M&M Van (FC Mini Bus)
Part No : WP117103



Model :Swaraj 855/Kirloskar JCB RB-22/33 4holes
Part No : WP127200



Model : Swaraj 724 - 4 hole pulley (NM)
Part No : WP127201



Model : Swaraj - 735/724 XM (3 Hole pulley) -
Flange Type
Part No : WP127202

Tractor application



Model :Swaraj735 /724 XM (3 Hole Pulley Hose type)
Part No : WP127203



Model : Swaraj 724 4 Hole pulley Hose type
Part No : WP127204



Model :Swaraj 855 XM(40mm) New model Heavy duty
Part No : WP127205



Model :Swaraj 744 long Pipe
Part No : WP127206



Model : Ford Farmtec-60
Part No : WP137300



Model :New Holland-3230
Part No : WP137301

Tractor application



Model : Escort 430 with Pulley
Part No : WP137302



Model : Escort 430 without Pulley
Part No : WP137303



Model : Escort 355
Part No : WP137304



Model : Escorts Crane S4 Low Position
Part No : WP137305



Model : WP Assy Ford-3600/FT60/NH WITH Back plate
Part No : WP137306



Model : Zetor 2011 (Sheet metal Pulley)
Part No : WP147400

Tractor application



Model :Zetor 5911(Sheet metal pulley)
Part No : WP147401



Model : "Zetor 6522 Double Mouth CI pulley (small Pulley Ø 110mm,Fan size 40 mm)"
Part No : WP147402



Model :JOHN DEERE - 3Pipe/2Dummy - 2in1
Part No : WP157500



Model :Sonalika (Latest) CI pulley
Part No : WP167600



Model :Sonalika 3035 DI
Part No : WP167601



RANE AFTERMARKET BUSINESS
RIGHT CHOICE RANE